

## NPD3-0-3000-2-S

3-Way, DC~3GHz, 2W

**Features:**

- \* Small Size
- \* Low Insertion Loss

**Applications:**

- \* Amplifiers
- \* Mixers
- \* Antennas
- \* Laboratory Test

**Electrical**

Frequency:	DC~3GHz
Insertion Loss:	9.5±0.6dB max.
Input VSWR:	1.25 max.
Output VSWR:	1.25 max.
Isolation:	9.5dB min.
Amplitude Balance:	±0.6dB
Impedance:	50Ω
Average Power:	2W

**Mechanical**

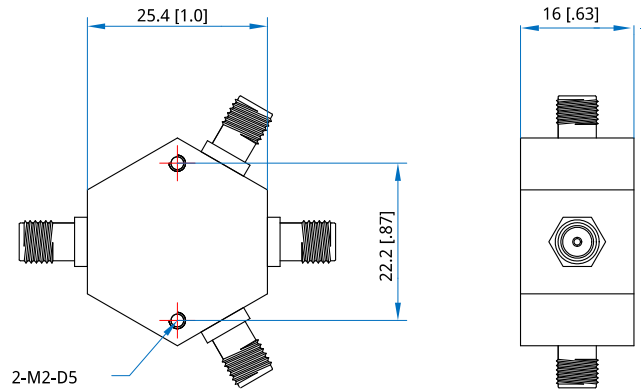
Size*1:	25.4*22.2*16mm 1*0.87*0.63in
Connectors:	SMA Female
Mounting:	2-M2, depth 5mm

[1] Exclude connectors.

**Environmental**

Operation Temperature:	-35~+75°C
------------------------	-----------

**Outline Drawings**



Unit: mm [in]  
Tolerance: ±0.5mm [±0.02in]

**How To Order**

[NPD3-0-3000-2-S](#)

Customization is available upon request.