

**NPD3-0-6000-2-S**

3-Way, DC~6GHz

Features:

- \* Small Size
- \* Low Insertion Loss

Applications:

- \* Amplifiers
- \* Mixers
- \* Antennas
- \* Laboratory Test

**Electrical**

---

Frequency:	DC~6GHz
Insertion Loss:	11dB max.
Input VSWR:	1.4 max.
Output VSWR:	1.4 max.
Isolation:	9dB min.
Amplitude Balance:	±0.7dB
Phase Balance:	±10°
Impedance:	50Ω
Average Power:	2W

**Mechanical**

---

Size*1:	25.4*29.3*16mm 1*1.154*0.63in
Weight:	25g
Connectors:	SMA Female
Mounting:	2-M2, depth 5mm

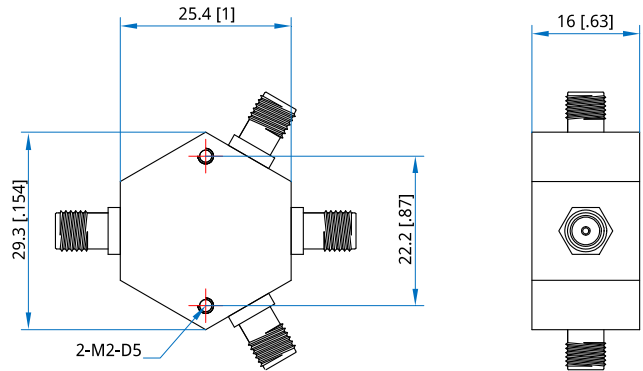
[1] Exclude connectors.

**Environmental**

---

Operation Temperature:	-35~+75°C
------------------------	-----------

**Outline Drawings**



Unit: mm [in]  
Tolerance: ±0.5mm [±0.02in]

**How To Order**

[NPD3-0-6000-2-S](#)

Customization is available upon request.