

### NPD3-433-30-N

3-Way, 0.433GHz

**Features:**

- \* Small Size
- \* Low Insertion Loss

**Applications:**

- \* Amplifiers
- \* Mixers
- \* Antennas
- \* Laboratory Test

**Electrical**

Frequency:	0.433GHz
Insertion Loss:	0.5dB max.
Input VSWR:	1.2 max.
Output VSWR:	1.2 max.
Isolation:	22dB min.
Amplitude Balance:	0.3dB max.
Phase Balance:	±3°
Impedance:	50Ω
Average Power:	30W max. 2W max. as combiner

**Mechanical**

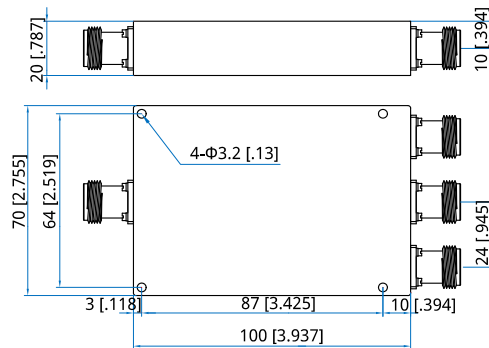
Size*1:	100*70*20mm 3.937*2.755*0.787in
Weight:	350g
Connectors:	N Female
Mounting:	4-Φ3.2mm through-hole

[1] Exclude connectors.

**Environmental**

Operation Temperature: -35~+75°C

**Outline Drawings**



Unit: mm [in]  
Tolerance: ±0.5mm [±0.02in]

**How To Order**

**NPD3-433-30-N**

Customization is available upon request.