

NPD3-800-2500

3-Way, 0.8~2.5GHz

Features:

- * Small Size
- * Low Insertion Loss

Applications:

- * Amplifiers
- * Mixers
- * Antennas
- * Laboratory Test

Electrical

| | |
|--------------------|---------------------------------------|
| Frequency: | 0.8~2.5GHz |
| Insertion Loss: | 0.5dB max. |
| Input VSWR: | 1.2 max. |
| Output VSWR: | 1.2 max. |
| Isolation: | 20dB min. |
| Amplitude Balance: | 0.3dB max. |
| Phase Balance: | 4° max. |
| Impedance: | 50Ω |
| Average Power: | 200W max. 10W max. as combiner (N) |

Mechanical

Mounting: 4-Φ3.2mm through-hole (N)

Environmental

Operation Temperature: -30~+70°C

How To Order

NPD3-800-2500-X-Y

X: Average power as divider

Y: Connector type

Connector naming rules:

N - N Female (Outline A)

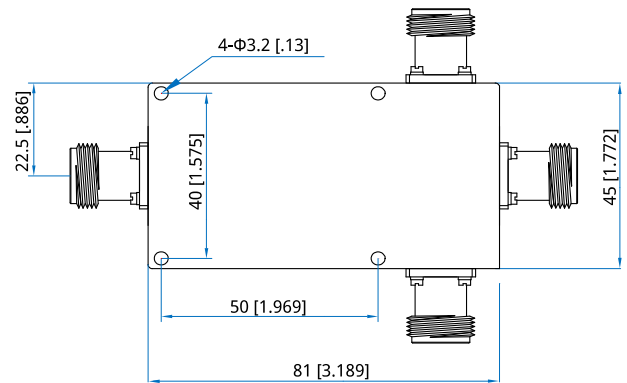
7 - 7/16 DIN Female (Outline B)

Examples:

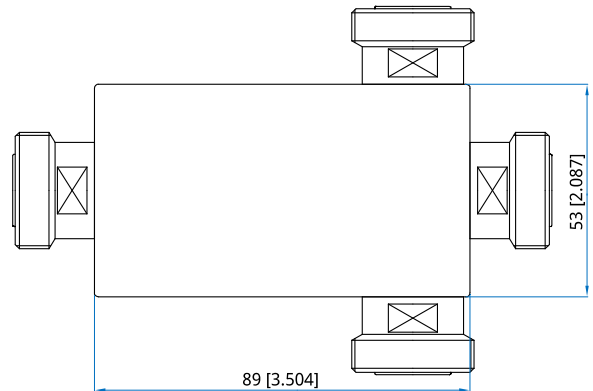
To order a 3-way power divider, 0.8~2.5GHz, 200W, N female, specify NPD3-800-2500-K2-N.

Customization is available upon request.

Outline Drawings



Outline A



Outline B

Unit: mm [in]

Tolerance: ±0.5mm [±0.02in]