

NWSS-15

WR-15

Features:

- * Low VSWR
- * High Isolation

Applications:

- * Wireless
- * Transmitter
- * Laboratory Test
- * Radar

Electrical

Frequency:	49.8~75.8GHz
VSWR:	1.1 max.
Insertion Loss:	0.1 max.

Mechanical

Length:	0.026m 1.024in
Waveguide size:	WR-15 (BJ620)
Flange:	UG385/U
Material:	Copper

How To Order

NWSS-15-X-Y-Z

X: Length

Y: Material

Z: Flange type

Length in mm:

26 - 26mm (Outline A)

Material naming rules:

C - Copper (Outline A)

Flange naming rules:

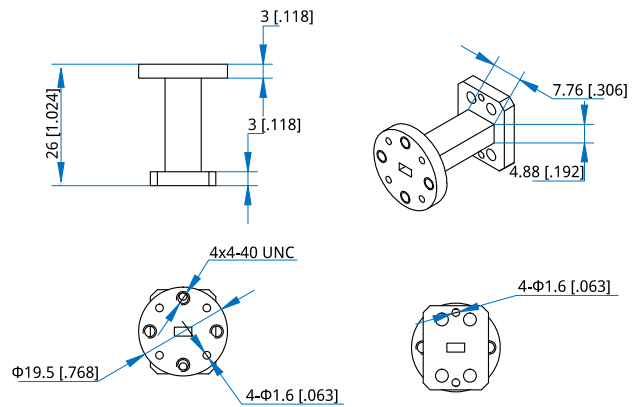
6 - UG-385/U (Outline A)

Examples:

To order a waveguide straight section, WR-15, 26mm, Copper, UG-385/U, specify NWSS-15-26-C-6.

Customization is available upon request.

Outline Drawings



Unit: mm [in]

Tolerance: $\pm 0.2\text{mm}$ [$\pm 0.008\text{in}$]