

**NDRHA-1000-18000-S**  
1~18GHz, SMA

Features:  
\* Broadband

Applications:  
\* Wireless  
\* Transceiver  
\* Laboratory Test  
\* Broadcast

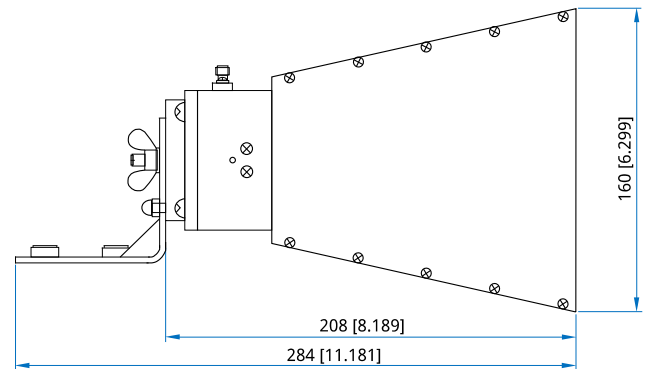
**Electrical**

Frequency: 1~18GHz  
 VSWR: 2.5 max.  
 Gain: 10.7dB min.  
 H Plane Beam Width: 7.04°~72.58°  
 E Plane Beam Width: 8.94°~50.8°

**Mechanical**

Size: 284\*160mm  
 11.181\*6.299in  
 Connectors: SMA female

**Outline Drawings**



Unit: mm [in]  
 Tolerance: ±0.2mm [±0.008in]

**How To Order**  
[NDRHA-1000-18000-S](#)

Customization is available upon request.