

NADD
SMB to SMB

Features:
* Low VSWR

Applications:
* Wireless
* Transmitter
* Laboratory Test
* Radar



Electrical

Frequency: DC~4GHz
DC~6GHz (Outline D)
VSWR: 1.15 max.
1.2 max.(Outline D)
Impedance: 50Ω

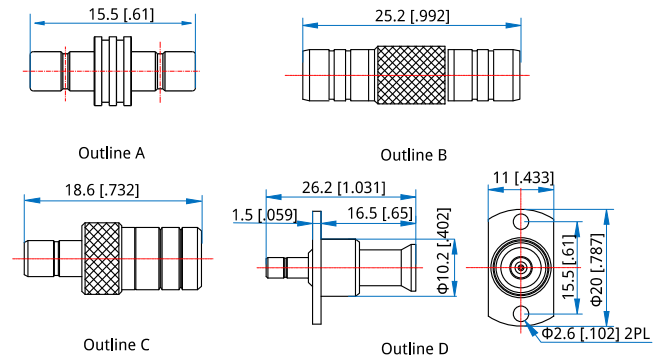
Mechanical

RF Connectors: SMB
Mating Life Cycle: 500 cycles
Outer Conductor: Gold Plated Brass
Passivated Stainless Steel
(Outline D)
Dielectric: PTFE
Inner Conductor: Gold Plated Beryllium Copper

Environmental

Temperature: -55~+165°C

Outline Drawings



Unit: mm [in]
Tolerance: ±0.2mm [±0.008in]

How To Order

- NADD-MM** - SMB(m) to SMB(m), Outline A
- NADD-FF** - SMB(f) to SMB(f), Outline B
- NADD-MF** - SMB(m) to SMB(f), Outline c
- NADDL-MF** - SMB(m) to SMB(f), Flange mount, Outline D

Customization is available upon request.