

NAM1M1

NMD 1.0mm to NMD 1.0mm

Features:
* Low VSWR

Applications:
* Wireless
* Transmitter
* Laboratory Test
* Radar

Electrical

Frequency: DC~110GHz
VSWR: 1.35 max.
Impedance: 50Ω

Mechanical

RF Connectors: NMD 1.0mm
Mating Life Cycle: 500 cycles min.
Outer Conductor: Gold plated beryllium copper & Passivated SUS303 stainless steel
Dielectric: CPS
Inner Conductor: Gold plated beryllium copper

Environmental

Temperature: -55~+85°C

How To Order

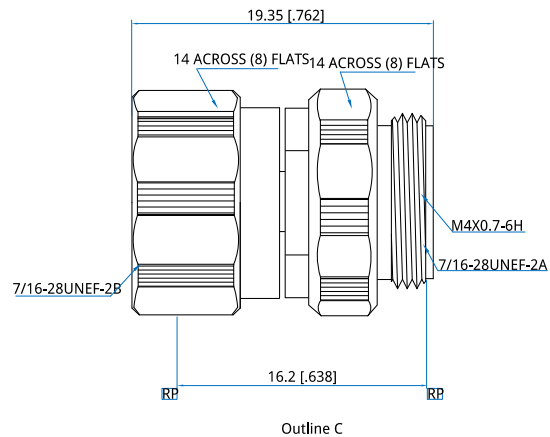
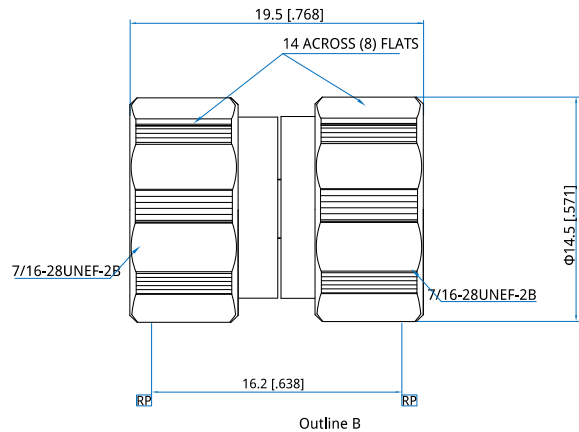
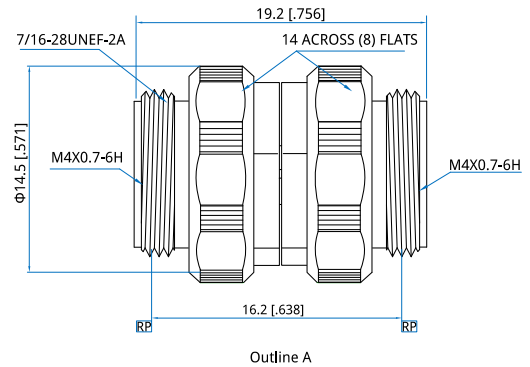
NAM1M1-MM - NMD 1.0mm (m) to NMD 1.0mm (m), Outline A

NAM1M1-FF - NMD 1.0mm (f) to NMD 1.0mm (f), Outline B

NAM1M1-FM - NMD 1.0mm(f) to NMD 1.0mm(m), Outline C

Customization is available upon request.

Outline Drawings



Unit: mm [in] Tolerance: ±0.2mm [±0.008in]