

NAM3J

NMD 3.5mm to 7mm

Features:
* Low VSWR

Applications:
* Wireless
* Transmitter
* Laboratory Test
* Radar

Electrical

Frequency: DC~18GHz
VSWR: 1.15 max.
Impedance: 50Ω

Mechanical

RF Connectors: NMD 3.5mm
7mm
Mating Life Cycle: 2000 cycles min.
Outer Conductor: Passivated SUS303 stainless steel
Dielectric: PEI
Inner Conductor: Gold plated beryllium copper

Environmental

Temperature: -55~+165°C

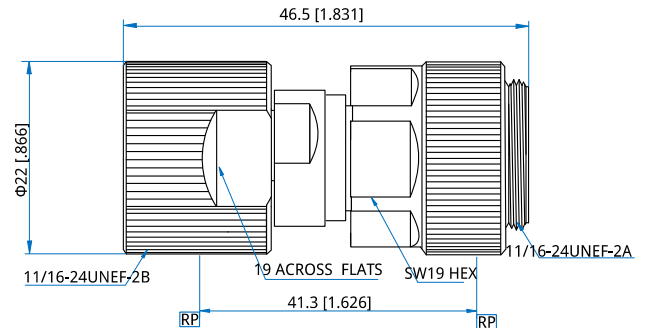
How To Order

NAM3J-F - NMD 3.5mm (f) to 7mm, Outline A

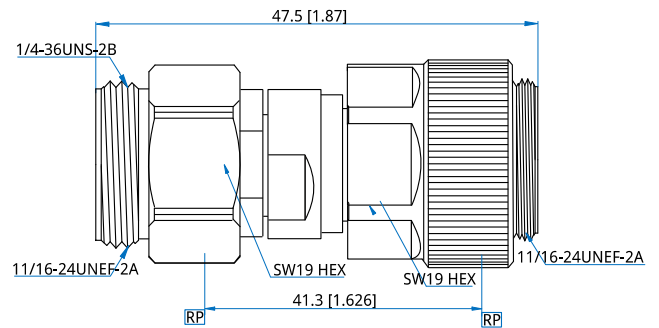
NAM3J-M - NMD 3.5mm (m) to 7mm, Outline B

Customization is available upon request.

Outline Drawings



Outline A



Outline B

Unit: mm [in]

Tolerance: ±0.2mm [±0.008in]