

**NAMKK**

NMD 2.92mm to 2.92mm

Features:  
\* Low VSWR

Applications:  
\* Wireless  
\* Transmitter  
\* Laboratory Test  
\* Radar

**Electrical**

Frequency: DC~40GHz  
VSWR: 1.2 max.  
Impedance: 50Ω

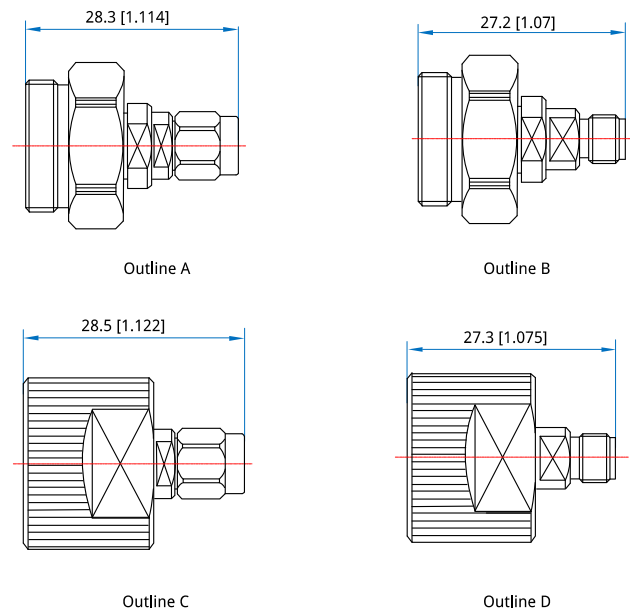
**Mechanical**

RF Connectors: NMD 2.92mm  
2.92mm  
Mating Life Cycle: 500 cycles  
Outer Conductor: Passivated stainless steel  
Dielectric: PEI  
Inner Conductor: Gold plated beryllium copper

**Environmental**

Temperature: -55~+165°C

**Outline Drawings**



Unit: mm [in]  
Tolerance: ±0.2mm [±0.008in]

**How To Order**

- NAMKK-MM** - NMD 2.92mm(m) to 2.92mm(m), Outline A
- NAMKK-MF** - NMD 2.92mm(m) to 2.92mm(f), Outline B
- NAMKK-FM** - NMD 2.92mm(f) to 2.92mm(m), Outline C
- NAMKK-FF** - NMD 2.92mm(f) to 2.92mm(f), Outline D

Customization is available upon request.