

**NAMVM2**

NMD 1.85mm to NMD 2.4mm

Features:  
\* Low VSWR

Applications:  
\* Wireless  
\* Transmitter  
\* Laboratory Test  
\* Radar

**Electrical**

Frequency: DC~50GHz  
VSWR: 1.25 max.  
Impedance: 50Ω

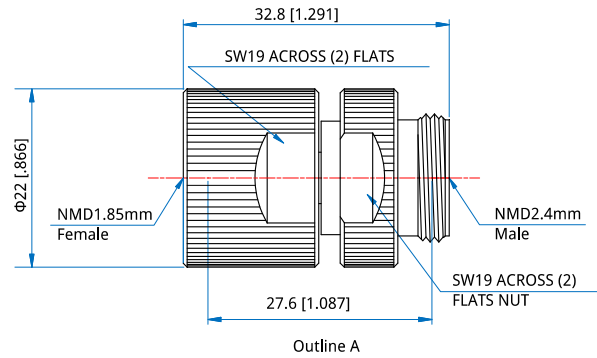
**Mechanical**

RF Connectors: NMD 1.85mm  
NMD 2.4mm  
Mating Life Cycle: 2000 cycles max.  
Outer Conductor: Passivated SU303 stainless steel  
Dielectric: PEEK  
Inner Conductor: Gold plated beryllium copper

**Environmental**

Temperature: -55~+165°C

**Outline Drawings**



Unit: mm [in]  
Tolerance:  $\pm 0.2$ mm [ $\pm 0.008$ in]

**How To Order**

**NAMVM2-FM** - NMD 1.85mm(f) to NMD 2.4mm(m), Outline A

Customization is available upon request.