

NAMVMK

NMD 1.85mm to NMD 2.92mm

Features:
* Low VSWR

Applications:
* Wireless
* Transmitter
* Laboratory Test
* Radar

Electrical

Frequency: DC~40GHz
VSWR: 1.2 max.
Impedance: 50Ω

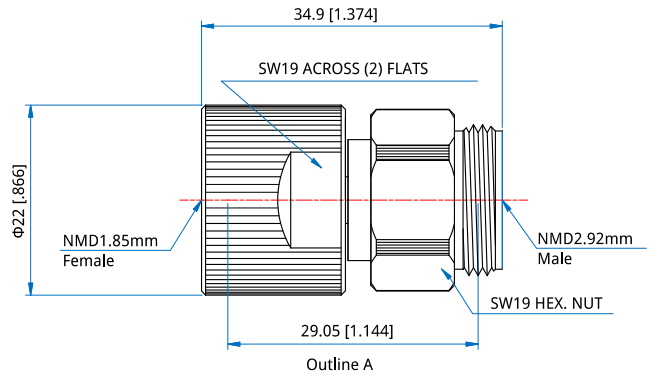
Mechanical

RF Connectors: NMD 1.85mm
NMD 2.92mm
Mating Life Cycle: 2000 cycles max.
Outer Conductor: Passivated SUS303 stainless steel
Dielectric: PEEK
Inner Conductor: Gold plated beryllium copper

Environmental

Temperature: -55~+165°C

Outline Drawings



Unit: mm [in]
Tolerance: ±0.2mm [±0.008in]

How To Order

NAMVMK-FM - NMD 1.85mm(f) to NMD 2.92mm(m), Outline A

Customization is available upon request.