

# NAMVV

NMD 1.85mm to 1.85mm

Features:  
\* Low VSWR

Applications:  
\* Wireless  
\* Transmitter  
\* Laboratory Test  
\* Radar

## Electrical

Frequency:	DC~67GHz
VSWR:	1.3 max. 1.25 max. (Outline C)
Impedance:	50Ω

## Mechanical

RF Connectors:	NMD 1.85mm 1.85mm
Mating Life Cycle:	500 cycles 3000 cycles min. (Outline C)
Outer Conductor:	Passivated stainless steel Gold plated beryllium copper & Gold plated brass (Outline C)
Dielectric:	PEI CPS (Outline C)
Inner Conductor:	Gold plated beryllium copper

## Environmental

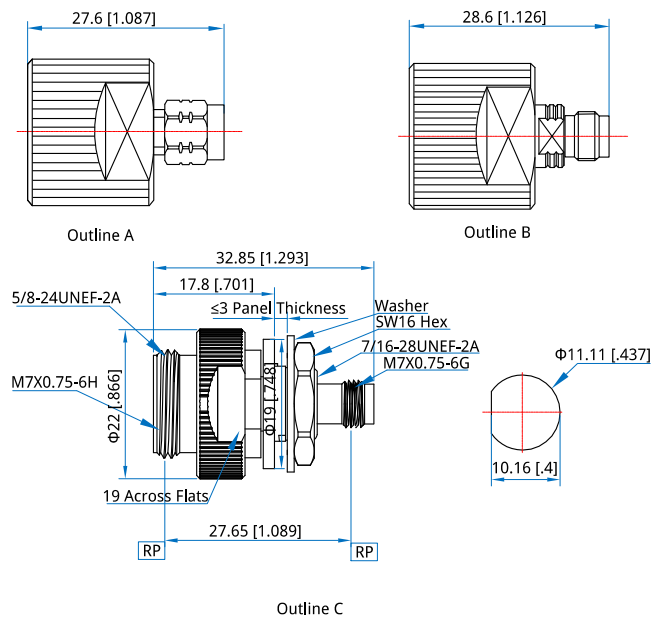
Temperature:	-55~+165°C -55~+85°C (Outline C)
--------------	-------------------------------------

## How To Order

- NAMVV-FM** - NMD 1.85mm(f) to 1.85mm(m), Outline A
- NAMVV-FF** - NMD 1.85mm(f) to 1.85mm(f), Outline B
- NAMVVH-MF** - NMD 1.85mm(m) to 1.85mm(f), bulk head, Outline C

Customization is available upon request.

## Outline Drawings



Unit: mm [in]  
Tolerance: ±0.2mm [±0.008in]