

NAS1S1

SHV to SHV

Features:
* Low VSWR

Applications:
* Wireless
* Transmitter
* Laboratory Test
* Radar

Electrical

| | |
|----------------------------------|---|
| Frequency: | DC~0.3GHz |
| Dielectric Withstanding Voltage: | 5000V RMS, 50Hz, at sea level, min. |
| Working Voltage: | 3500V RMS, 50Hz, at sea level, max. (Outline C) |
| Impedance of Dielectric: | 5000MΩ min. |
| Impedance of Contact (Center): | 3mΩ max. |
| Impedance of Contact (Outer): | 2mΩ max.(Outline A, D) |
| Impedance: | 3mΩ max. |
| | 1mΩ max.(Outline A, D) |
| | 50Ω |

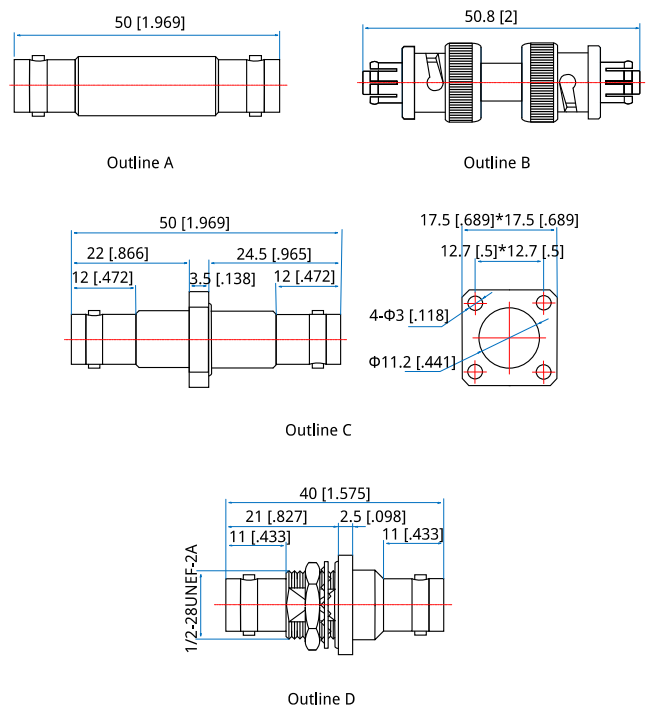
Mechanical

| | |
|--------------------|---------------------|
| RF Connectors: | SHV |
| Mating Life Cycle: | 500 cycles min. |
| Outer Conductor: | Nickel plated brass |
| Dielectric: | PTFE |
| Inner Conductor: | Gold plated brass |

Environmental

| | |
|--------------|------------|
| Temperature: | -45~+125°C |
|--------------|------------|

Outline Drawings



Unit: mm [in]

Tolerance: ±0.2mm [±0.008in]

How To Order

NAS1S1-MM - SHV (m) to SHV (m), Outline A

NAS1S1-FF - SHV (f) to SHV (f), Outline B

NAS1S1L-MM - SHV (m) to SHV (m) flange mount, Outline C

NAS1S1H-MM - SHV (m) to SHV(m) bulk head, Outline D

Customization is available upon request.