

NASQS-B

SMA to Quick SMA

Features:
* Low VSWR

Applications:
* Wireless
* Transmitter
* Laboratory Test
* Radar

Electrical

Frequency:	DC~18GHz
VSWR:	1.25 max.
Impedance of Dielectric:	5000MΩ min.
Voltage Withstand:	1000V DC
Impedance:	50Ω

Mechanical

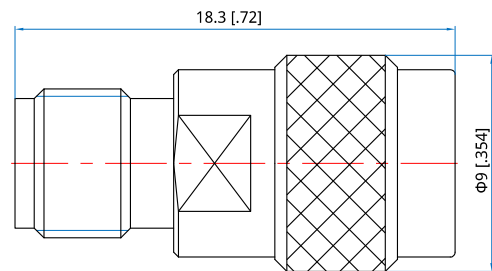
RF Connectors:	SMA Quick SMA
Outer Conductor:	Gold plated brass or Gold plated beryllium copper
Dielectric:	PTFE
Inner Conductor:	Gold plated beryllium copper

How To Order

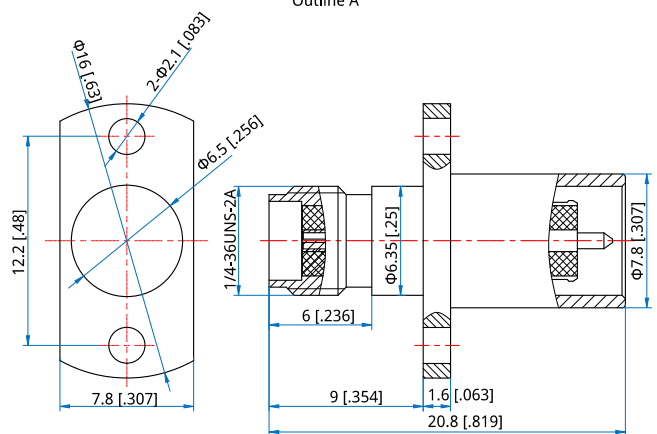
- NASQS-FM-B** - SMA (f) to Quick SMA (m), Outline A
- NASQSL-FM-B** - SMA (f) to Quick SMA (m), flange mount, Outline B

Customization is available upon request.

Outline Drawings



Outline A



Outline B

Unit: mm [in]
Tolerance: ±0.2mm [±0.008in]