

### NASW SMA to SSMC

Features:  
\* Low VSWR

Applications:  
\* Wireless  
\* Transmitter  
\* Laboratory Test  
\* Radar

#### Electrical

Frequency: DC~17GHz  
VSWR: 1.25 max.@17GHz  
1.15 max.@DC~6GHz  
Impedance: 50Ω

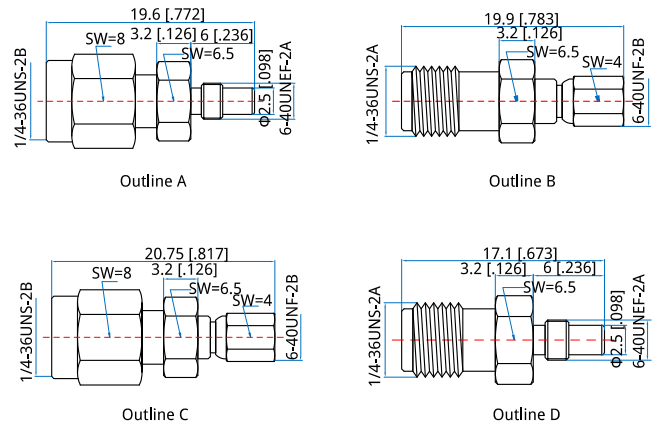
#### Mechanical

RF Connectors: SMA  
SSMC  
Mating Life Cycle: 500 cycles  
Outer Conductor: Gold Plated Brass  
Dielectric: PTFE  
Inner Conductor: Gold Plated Phosphor Copper

#### Environmental

Temperature: -45~+125°C

#### Outline Drawings



Unit: mm [in]  
Tolerance: ±0.2mm [±0.008in]

#### How To Order

**NASW-MM** - SMA(m) to SSMC(m), Outline A  
**NASW-FF** - SMA(f) to SSMC(f), Outline B  
**NASW-MF** - SMA(m) to SSMC(f), Outline C  
**NASW-FM** - SMA(f) to SSMC(m), Outline D

Customization is available upon request.