

NAYY
HN to HN

Features:
* Low VSWR

Applications:
* Wireless
* Transmitter
* Laboratory Test
* Radar

Electrical

Frequency: DC~6GHz
VSWR: 1.3 max.
Impedance: 50Ω

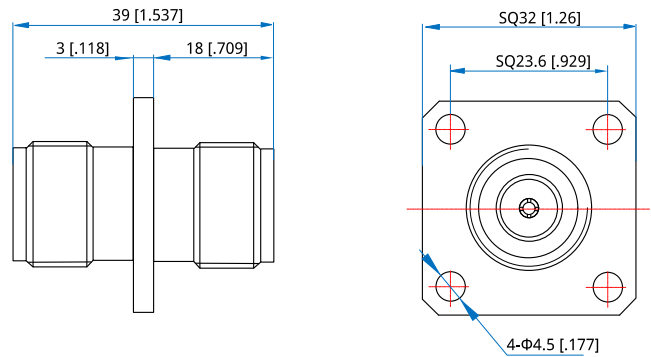
Mechanical

RF Connectors: HN
Mating Life Cycle: 500 cycles
Outer Conductor: Ternary alloy plated brass
Dielectric: PTFE
Inner Conductor: Gold plated beryllium copper

Environmental

Temperature -55~+165°C

Outline Drawings



Outline A

Unit: mm [in]
Tolerance: ±0.2mm [±0.008in]

How To Order

NAYYL-FF - HN(f) to HN (f), Flange mount, Outline A

Customization is available upon request.