

NCI6237A

High Power, High Isolation

- | | |
|--|--|
| Features:
* High Power
* High Isolation
* Low Insertion Loss
* Low VSWR | Applications:
* Wireless
* Radar
* Laboratory Test |
|--|--|

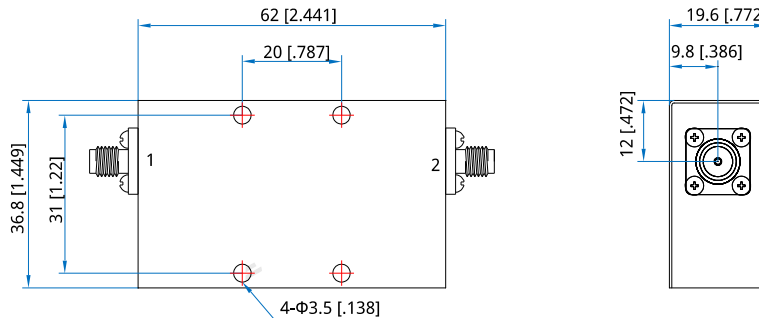
Description

NCI6237A series Coaxial Isolators cover frequency range 2-8GHz. High power, high isolation and low insertion loss make it ideal for a lot of applications like amplifiers, transceivers, etc.

Specifications

Frequency (MHz)	Bandwidth (MHz)	IL (dB Max.)	Isolation (dB Min.)	VSWR (Max.)	Fwd Power (W Max.)	Rev Power (W)	Connector	Temperature (°C)
2000-6000	4000	1.30	14.0	1.60	20	5	SMA	0~+60
2000-8000	6000	1.50	13.0	1.80	20	5	SMA	0~+60

Outline Drawings



Unit: mm [inch] Tolerance: ±0.2mm [±0.008in]

Mechanical

Size*1: 62*36.8*19.6mm
2.441*1.449*0.772in

Mounting: 4-Φ3.5mm through-hole

[1] Exclude connectors and terminations.

Connector Naming Rules:

S - SMA Female

Direction Naming Rules:

- 1 - Clockwise
- 2 - Anticlockwise

How To Order

NCI6273A-U-V-W-X-Y-Z

- U: Start frequency in MHz
- V: Stop frequency in MHz
- W: Forward power in W
- X: Reverse power in W
- Y: Connector type
- Z: Direction type

Examples:

To order a NCI6237A series Isolator, 2~6GHz, Forward power 20W, Reverse power 5W, SMA female, Clockwise, specify NCI6237A-2000-6000-20-5-S-1.

Customization is available upon request.