

NMS2S

DC~26.5GHz, SPDT

Features:
 * Low VSWR
 * Low Insertion Loss
 * High Isolation

Applications:
 * Wireless
 * Transmitter
 * Laboratory Test
 * Radar

Electrical

Frequency: DC~26.5GHz
 Impedance: 50Ω

Frequency range (GHz)	Insertion Loss (dB)	Isolation (dB)	VSWR
DC~6	0.2	70	1.2
6~12	0.3	70	1.3
12~18	0.4	60	1.4
18~26.5	0.6	55	1.6

Voltage*1 (V)	+12	+24	+28
Current (mA) Failsafe	195	100	95
Latching	230	140	120

[1] The voltage can be selected according to user requirements.

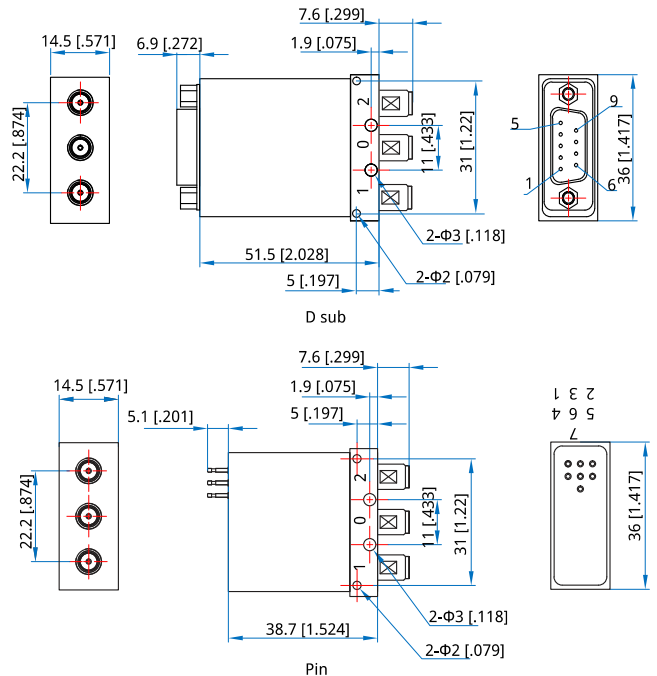
Mechanical

Switching Sequence: Break before Make
 Switching Time: 15mS max.
 Operation Life: 2M Cycles
 Vibration (operating): 20-2000Hz, 10G RMS
 Mechanical Shock (non-operating): 30G, 1/2sine, 11mS
 RF Connectors: SMA Female
 Power Supply & Control Interface Connectors: Feed Through/Terminal Post or D-Sub 9

Environmental

Temperature: -25~+65°C
 Extended Temperature: -45~+85°C

Outline Drawings



Unit: mm [in]
 Tolerance: ±0.5mm [±0.00in]

Additional Options

TTL: T
 Indicators: I
 Extended Temperature: Z
 Positive Common
 Waterproof Sealing Type

How To Order

NMS2S-F-WXYZ

F: Frequency in GHz
 W: Actuator Type. Failsafe: 0, Latching: 1.
 X: Voltage. +12V: E, +24V: K, +28V: M.
 Y: Power Interface. Pin: 0, D-Sub: 1.
 Z: Additional Options.

Examples:

To order a SPDT switch, DC-18GHz, Failsafe, +12V, D-Sub, TTL,

Indicators, specify NMS2S-18-0E1TI.
 Customization is available upon request.

Pin Numbering

Failsafe

Pin	Function	Pin	Function
1	VDC(RF: 0 to 2)	4~5	Indicator (1~2)
2	NC	6	Indicator (COM)
3	COM(RF: 0 to 2)	7~9	NC

Failsafe&TTL

Pin	Function	Pin	Function
1	VDC(RF: 0 to 2)	4~5	Indicator (1~2)
2	A1(RF: 0 to 2)	6	Indicator (COM)
3	COM(RF: 0 to 2)	7~9	NC

Latching

Pin	Function	Pin	Function
1	V1(RF: 0 to 1)	4~5	Indicator (1~2)
2	V2(RF: 0 to 2)	6	Indicator (COM)
3	COM	7~9	NC

Latching&TTL

Pin	Function	Pin	Function
1	VDC	5~6	Indicator (1~2)
2	A1(RF: 0 to 1)	7	Indicator (COM)
3	COM	8~9	NC
4	A2(RF: 0 to 2)		

Driving Schematic Diagram

