

NMS2V

DC~67GHz, SPDT

Features:
 * Low VSWR
 * Low Insertion Loss
 * High Isolation

Applications:
 * Wireless
 * Transmitter
 * Laboratory Test
 * Radar

Electrical

Frequency: DC~67GHz
 Impedance: 50Ω

Frequency range (GHz)	Insertion Loss (dB)	Isolation (dB)	VSWR
DC-6	0.2	70	1.2
6-12	0.3	70	1.3
12-18	0.4	60	1.4
18-26.5	0.6	55	1.6
26.5-32	0.7	50	1.7
32-40	0.8	50	1.8
40-50	0.9	45	1.9
50-67	1.2	40	2.2

Voltage*1 (V)	+12	+24	+28
Current (mA) Failsafe	195	100	95
Latching	230	140	120

[1] The voltage can be selected according to user requirements.

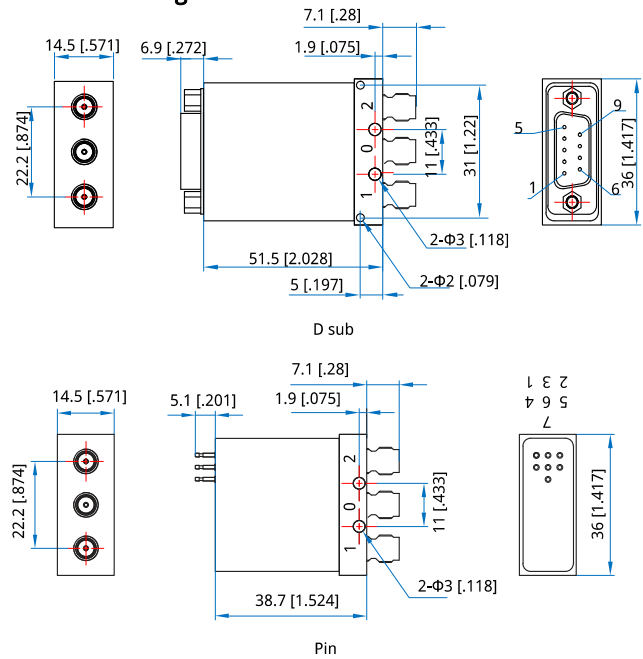
Mechanical

Switching Sequence:	Break before Make
Switching Time:	15mS max.
Operation Life:	2M Cycles
Vibration (operating):	20-2000Hz, 10G RMS
Mechanical Shock (non-operating):	30G, 1/2sine, 11mS
RF Connectors:	1.85mm Female
Power Supply & Control Interface Connectors:	Feed Through/Terminal Post or D-Sub 9

Environmental

Temperature:	-25~+65°C
Extended Temperature:	-45~+85°C

Outline Drawings



Unit: mm [in]
 Tolerance: ±0.5mm [±0.00in]

Additional Options

TTL: T
 Indicators: I
 Extended Temperature: Z
 Positive Common
 Waterproof Sealing Type

How To Order

NMS2V-F-WXYZ

F: Frequency in GHz
 W: Actuator Type. Failsafe: 0, Latching: 1.
 X: Voltage. +12V: E, +24V: K, +28V: M.
 Y: Power Interface. Pin: 0, D-Sub: 1.
 Z: Additional Options.

Examples:

To order a SPDT switch, DC-67GHz, Failsafe, +12V, D-Sub, TTL, Indicators, specify NMS2V-67-0E1TI.

Customization is available upon request.

Pin Numbering

Failsafe

Pin	Function	Pin	Function
1	VDC(RF: 0 to 2)	4~5	Indicator (1~2)
2	NC	6	Indicator (COM)
3	COM(RF: 0 to 2)	7~9	NC

Failsafe&TTL

Pin	Function	Pin	Function
1	VDC(RF: 0 to 2)	4~5	Indicator (1~2)
2	A1(RF: 0 to 2)	6	Indicator (COM)
3	COM(RF: 0 to 2)	7~9	NC

Latching

Pin	Function	Pin	Function
1	V1(RF: 0 to 1)	4~5	Indicator (1~2)
2	V2(RF: 0 to 2)	6	Indicator (COM)
3	COM	7~9	NC

Latching&TTL

Pin	Function	Pin	Function
1	VDC	5~6	Indicator (1~2)
2	A1(RF: 0 to 1)	7	Indicator (COM)
3	COM	8~9	NC
4	A2(RF: 0 to 2)		

Driving Schematic Diagram

