

NMSD3KH

DC~43.5GHz, 2P3T,

- | | |
|----------------------|-------------------|
| Features: | Applications: |
| * Low VSWR | * Wireless |
| * Low Insertion Loss | * Transmitter |
| * High Isolation | * Laboratory Test |
| | * Radar |

Electrical

Frequency: DC~43.5GHz				
Impedance: 50Ω				
Model	Frequency range (GHz)	Insertion Loss (dB)	Isolation (dB)	VSWR
NMSD3KH-40	DC-26.5	0.40	80	1.3
	26.5-40	0.65	65	1.5
NMSD3KH-43.5	DC-40	0.40	80	1.3
	40-43.5	1.00	60	1.6
Voltage*1 (V)		12	24	28
Current (mA)	Failsafe	350	200	180
	Latching	400	200	185

[1] The voltage can be selected according to user requirements.

Mechanical

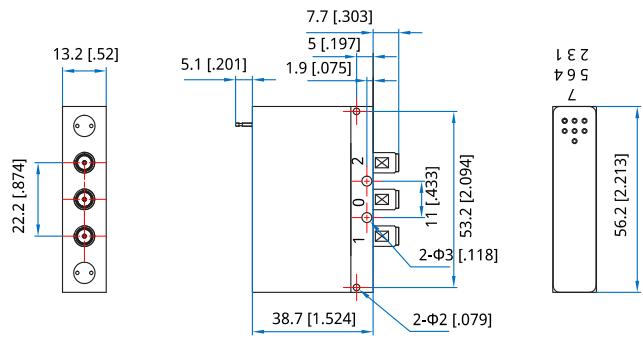
Size*2:	38.7*53.2*13.2mm 1.524*2.094*0.52in
Switching Sequence:	Break before Make
Switching Time:	15mS max.
Operation Life:	2M Cycles
Vibration (operating):	20-2000Hz, 10G RMS
Mechanical Shock (non-operating):	30G, 1/2sine, 11mS
RF Connectors:	2.92mm Female
Power Supply & Control Interface Connectors:	Feed Through/Terminal Post
Mounting:	2-Φ3mm through-hole 2-Φ2mm through-hole

[2] Exclude connectors.

Environmental

Temperature:	-25~+65°C
Extended Temperature:	-45~+85°C

Outline Drawings



Unit: mm [in]
Tolerance: ±0.5mm [±0.02in]

Additional Options

- TTL: T
- Indicators: I
- Extended Temperature: Z
- Positive Common
- Waterproof Sealing Type

NMSD3KH-F-WXYZ

- F: Frequency in GHz
- W: Actuator Type. Failsafe: 0, Latching: 1.
- X: Voltage. +12V: E, +24V: K, +28V: M.
- Y: Power Interface. Pin: 0, D-Sub: 1.
- Z: Additional Options.

Examples:

To order a 2P3T switch, High performance, DC-18GHz, Failsafe, +12V, D-Sub, TTL, Indicators, specify NMSD3KH-18-0E1TI.

Customization is available upon request.

Pin Numbering

Failsafe

Pin	Function	Pin	Function
1	VDC(RF: 2 to 3,4 to 5)	4~5	Indicator (1~2)
2	NC	6	Indicator (COM)
3	COM(RF: 2 to 3,4 to 5)	7~9	NC

Failsafe&TTL

Pin	Function	Pin	Function
1	VDC(RF: 2 to 3,4 to 5)	4~5	Indicator (1~2)
2	A1(RF: 2 to 3,4 to 5)	6	Indicator (COM)
3	COM(RF: 2 to 3,4 to 5)	7~9	NC

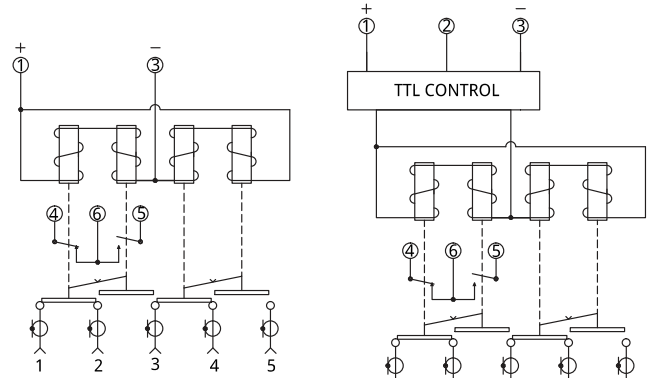
Latching

Pin	Function	Pin	Function
1	VDC(RF: 1 to 2,3 to 4)	4~5	Indicator (1~2)
2	VDC(RF: 2 to 3,4 to 5)	6	Indicator (COM)
3	COM	7~9	NC

Latching&TTL

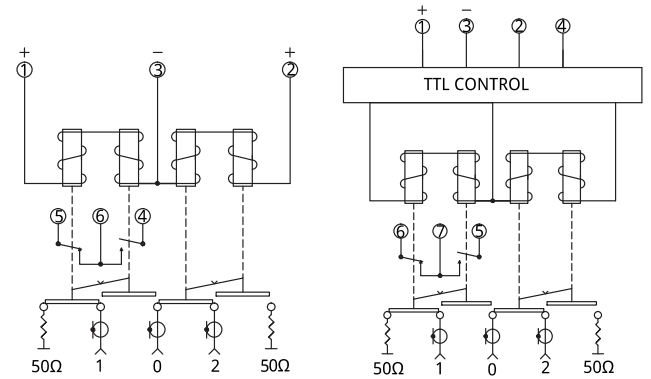
Pin	Function	Pin	Function
1	VDC	4	A2(RF: 2 to 3,4 to 5)
2	A1(RF: 1 to 2,3 to 4)	5~6	Indicator (1~2)
3	COM	7	Indicator (COM)

Driving Schematic Diagram



Failsafe

Failsafe+TTL



Latching

Latching+TTL