

## NDB-10-18000

10MHz~18GHz

Features:  
 \* Broadband  
 \* High Sensitivity

Applications:  
 \* Telecom  
 \* Instrumentation  
 \* Laboratory Test  
 \* Radar

### Electrical

Frequency Range:	0.01~18GHz
Insertion Loss:	0.6dB max.
VSWR:	1.25 max.
Impedance:	50Ω
Voltage:	50V max.

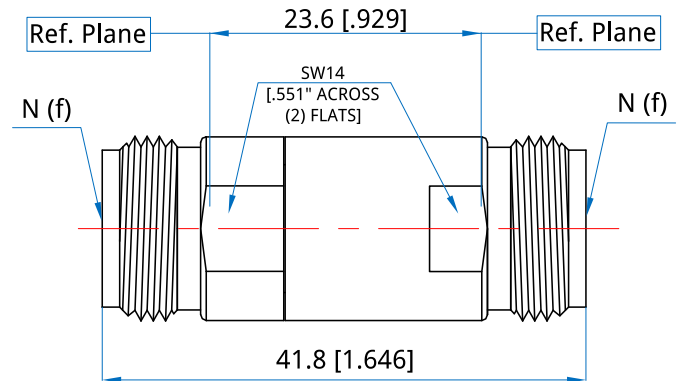
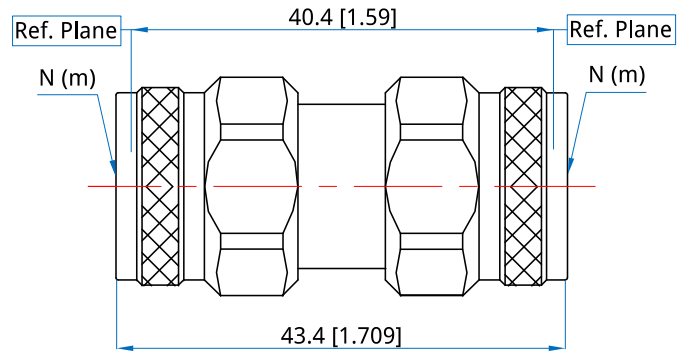
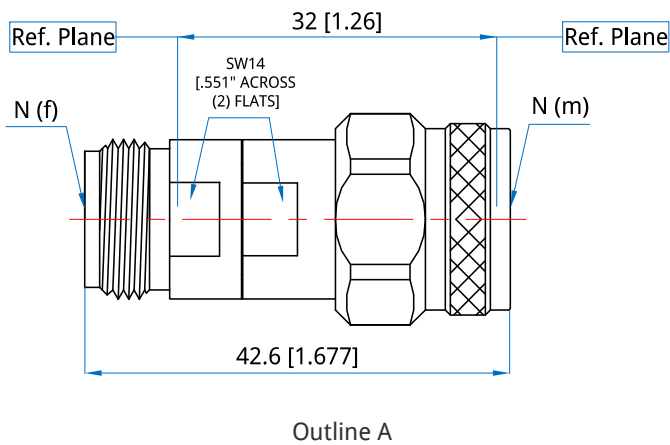
### Mechanical

Connectors:	N
Mating Life Cycle:	500 cycles
Outer Conductors:	Passivated SUS303 Stainless Steel
Dielectric:	PEI
Inner Conductors:	Gold Plated Beryllium Copper

### Environmental

Operating Temperature: -55~+165°C

### Outline Drawings



Unit: mm [in]  
 Tolerance: ±0.2mm [±0.008in]

### How To Order

**NDB-10-18000-NNF** - Outline A

**NDB-10-18000-NN** - Outline B

**NDB-10-18000-NFNF** - Outline C

Customization is available upon request.