

## NDB-10-26500

10MHz~26.5GHz

Features:  
 \* Broadband  
 \* High Sensitivity

Applications:  
 \* Telecom  
 \* Instrumentation  
 \* Laboratory Test  
 \* Radar

### Electrical

Frequency Range:	0.01~26.5GHz
Insertion Loss:	0.8dB max.
VSWR:	1.3 max. @10~30MHz 1.25 max. @0.03~26.5GHz
Impedance:	50Ω
Voltage:	50V max.

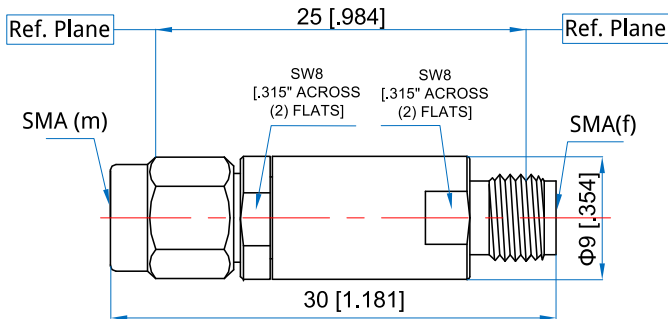
### Mechanical

Connectors:	SMA, 3.5mm
Mating Life Cycle:	500 cycles
Outer Conductors:	Passivated SUS303 Stainless Steel
Dielectric:	PTFE or PEI
Inner Conductors:	Gold Plated Beryllium Copper

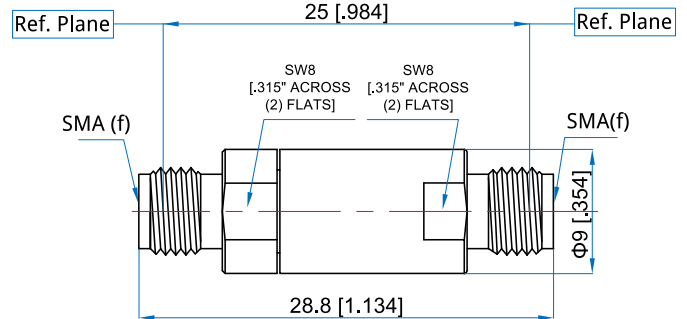
### Environmental

Operating Temperature: -55~+165°C

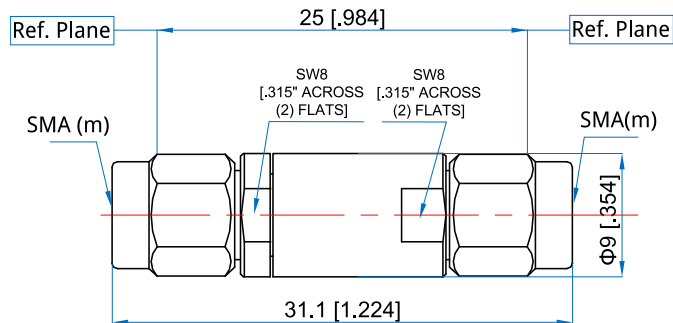
### Outline Drawings



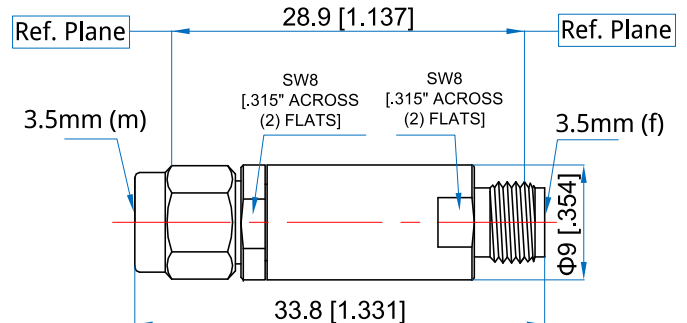
Outline A



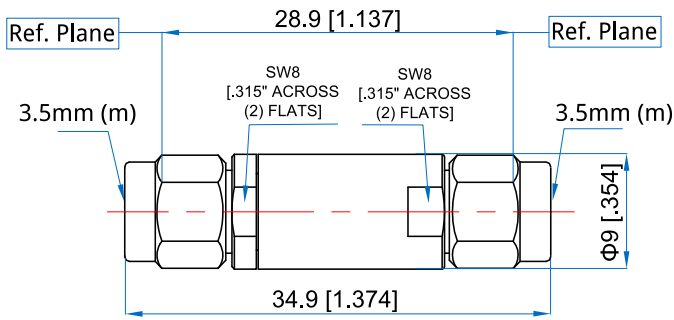
Outline C



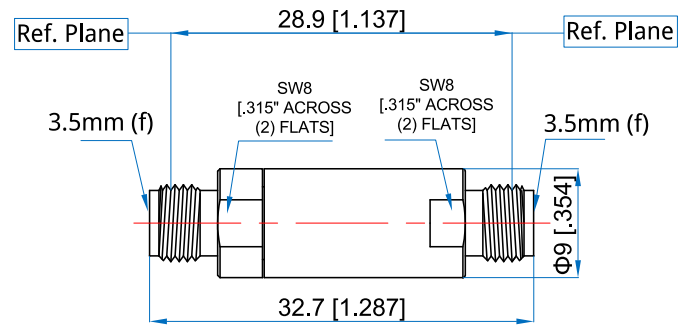
Outline B



Outline D



Outline E



Outline F

Unit: mm [in]

Tolerance:  $\pm 0.2\text{mm}$  [ $\pm 0.008\text{in}$ ]

### How To Order

[NDB-10-26500-SSF](#) - Outline A

[NDB-10-26500-SS](#) - Outline B

[NDB-10-26500-SFSF](#) - Outline C

[NDB-10-26500-33F](#) - Outline D

[NDB-10-26500-33](#) - Outline E

[NDB-10-26500-3F3F](#) - Outline F

Customization is available upon request.