

NDB-10-50000

10MHz~50GHz

Features:
 * Broadband
 * High Sensitivity

Applications:
 * Telecom
 * Instrumentation
 * Laboratory Test
 * Radar

Electrical

Frequency Range:	0.01~50GHz
Insertion Loss:	0.8dB max.
VSWR:	1.3 max.
Impedance:	50Ω
Voltage:	50V max.

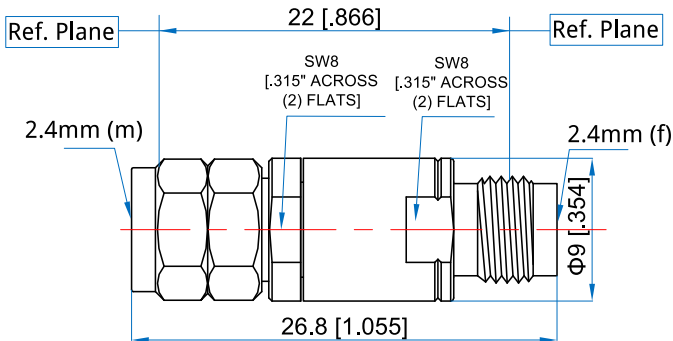
Mechanical

Connectors:	2.4mm
Mating Life Cycle:	500 cycles
Outer Conductors:	Passivated SUS303 Stainless Steel
Dielectric:	PEI
Inner Conductors:	Gold Plated Beryllium Copper

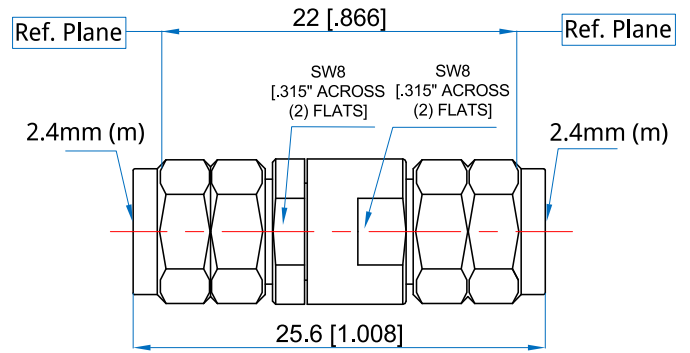
Environmental

Operating Temperature: -55~+165°C

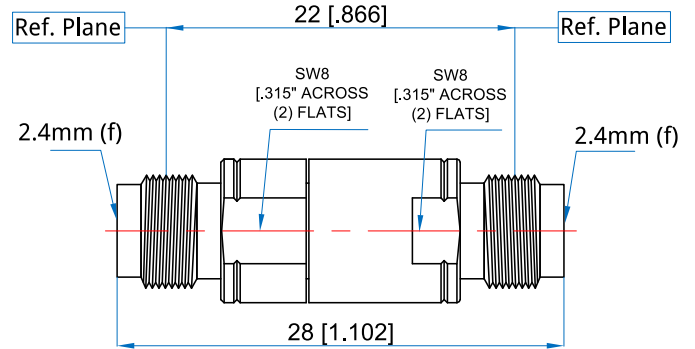
Outline Drawings



Outline A



Outline B



Outline C

Unit: mm [in]
 Tolerance: ±0.2mm [±0.008in]

How To Order

[NDB-10-50000-22F](#) - OutlineA

[NDB-10-50000-22](#) - OutlineB

[NDB-10-50000-2F2F](#) - OutlineC

Customization is available upon request.