

NWD-15

Broadband & High Sensitivity

Features:

- * Broadband
- * High Sensitivity

Applications:

- * Telecom
- * Instrumentation
- * Laboratory Test
- * Radar

Electrical

Frequency Range:	50~75GHz
Sensitivity:	200mV/mW
Flatness:	±2dB max.
Polarity:	Negative
Input Power Without Damage:	20dBm

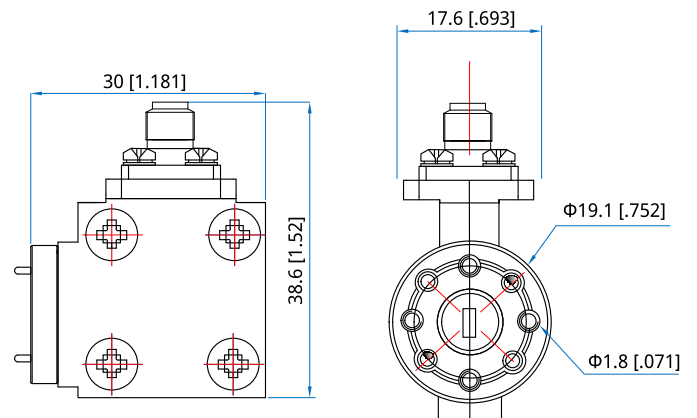
Mechanical

Size:	30*17.6*38.6mm 1.181*0.693*1.52in
Weight:	150g max.
Input Connector:	WR-15
Output Connector:	SMA Female

Environmental

Operating Temperature:	0~+50°C
Non-operating Temperature:	-20~+70°C

Outline Drawings



Unit: mm [in]
Tolerance: ±0.2mm [±0.008in]

How To Order

NWD-15

Customization is available upon request.