

NPX 875/1842/2140/2545MHz QPX Quadplexer, 875/1842/2140/2545 MHz

Features:

- * Small Size
- * Low Insertion Loss

Applications:

- * Amplifiers
- * Mixers
- * Antennas
- * Laboratory Test

Electrical

Frequency:	791-960 MHz 1805-1880 MHz 2110-2170 MHz 2400-2690 MHz
Insertion Loss:	0.5dB max.
Pass Band Ripple :	0.3dB max.
Return Loss:	15dB min.
Rejection:	20dB min.
Impedance:	50Ω
Input Power:	100W CW max.
Lightning Protection :	IEC 61000-4-5; 5kA,8/20uS

Mechanical

Size ¹ :	104,0x83,0x58.0 mm
Weight :	850 g Max.
Finish:	Black painting
Connectors:	N Type Female
Mounting:	4- 2.3x0.4p DP5.0 through-hole

[1] Exclude connectors.

Environmental

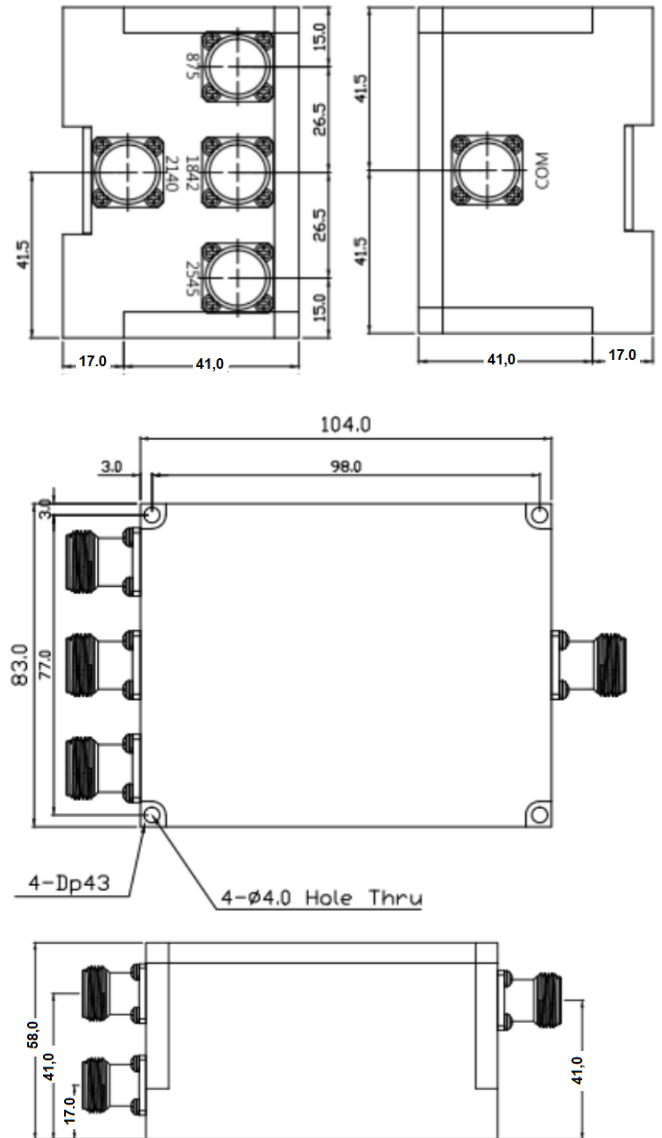
Operation Temperature: -30~ +70°C

How To Order

[NPX 14615-15250MHz DPX](#)

Customization is available upon request.

Outline Drawings



Unit: mm [in]
Tolerance: ±0.2mm [±0.008in]