

NPX 897.5 942.5 MHz DPX Duplexer, 880-915 MHz / 925-960 MHz

Features:

- * Small Size
- * Low Insertion Loss

Applications:

- * Amplifiers
- * Mixers
- * Antennas
- * Laboratory Test

Electrical

Frequency:	880-915 MHz / 925-960 MHz
Insertion Loss:	1.0dB max.
Pass Band Ripple :	0.6dB max.
Return Loss :	20.0dB min.
Rejection:	65dB min.
Impedance:	50Ω
Input Power Handling:	100 W @ each input port per port.

Mechanical

Dimension (W*D*H):	120*113*41
Finish:	Silver plating
Connectors:	N Female
Mounting:	4- 2.3x0.4p DP6.0 through-hole

[1] Exclude connectors.

Environmental

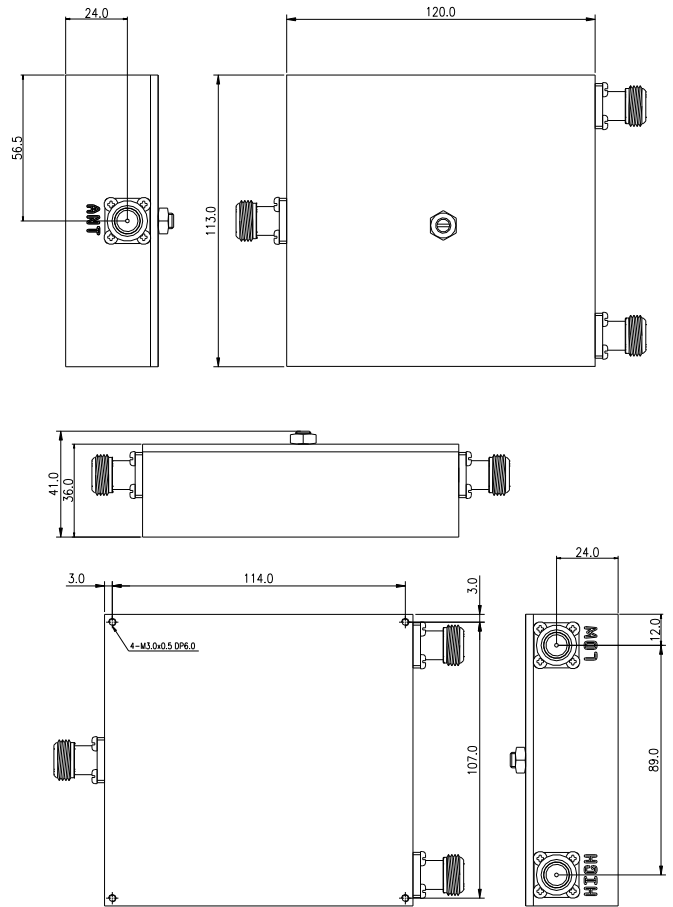
Operation Temperature: -40~ +70°C

How To Order

NPX 897.5 942.5 MHz DPX

Customization is available upon request.

Outline Drawings



Unit: mm [in]

Tolerance: ±0.2mm [±0.008in]

