

### NSK14615-15250MHz DPX

#### Dublexer, 14.4-14.83GHz / 15.15-15.35GHz

##### Features:

- \* Small Size
- \* Low Insertion Loss

##### Applications:

- \* Amplifiers
- \* Mixers
- \* Antennas
- \* Laboratory Test

#### Electrical

Frequency:	14.4~14.83GHz/15.15~15.35GHz
Insertion Loss:	2.2dB max.
Pass Band Ripple :	0.8dB max.
Return Loss:	18dB min.
Rejection:	80dB min.
Impedance:	50Ω
Input Power:	3W CW max.

#### Mechanical

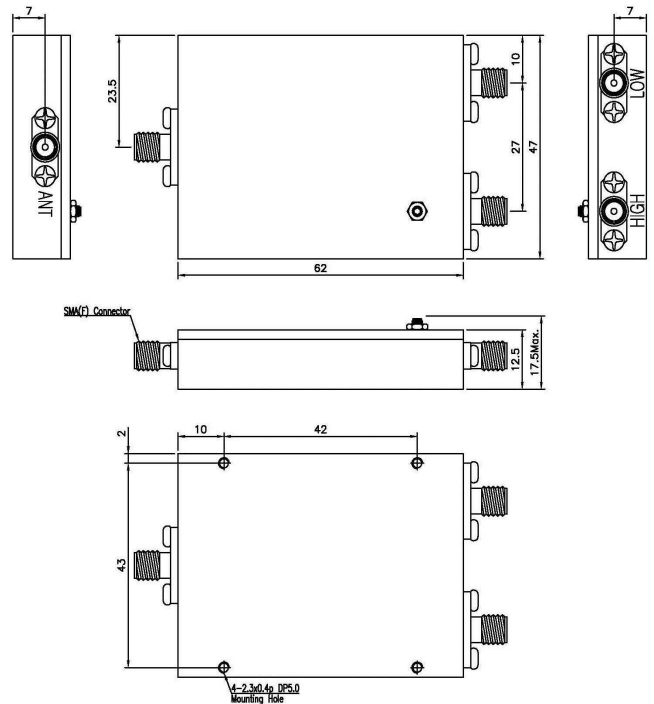
Size*1:	62.0 x 47.0 x 17.5mm 2.44*1.85*0.689in
Finish:	Silver plating
Connectors:	SMA Female
Mounting:	4- 2.3x0.4p DP5.0 through-hole

[1] Exclude connectors.

#### Environmental

Operation Temperature: -30~ +70°C

#### Outline Drawings



Unit: mm [in]

Tolerance: ±0.2mm [±0.008in]

#### How To Order

[NSK14615-15250MHz DPX](#)

Customization is available upon request.

