

NELC-2-3
2.4mm, DC~50GHz

Features:

- * Low VSWR
- * No welding
- * Reusable
- * Easy installation

Applications:

- * Laboratory Test

Electrical

Frequency: DC~50GHz
 VSWR: 1.3 max.
 Impedance: 50Ω

Mechanical

RF Connector: 2.4mm
 Outer Conductor: Passivated stainless steel
 Dielectric: PEI & PTFE
 Inner Conductor: Gold plated beryllium copper

Environmental

Temperature: -55~+165°C

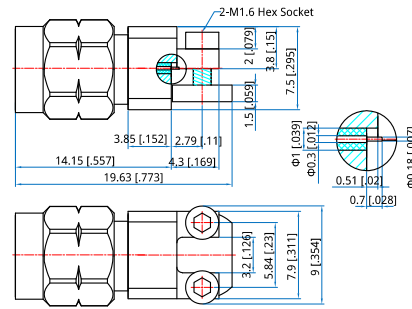
How To Order

[NELC-2-3](#) - Outline A

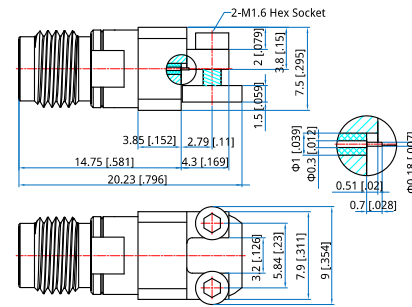
[NELC-2F-3](#) - Outline B

Customization is available upon request.

Outline Drawings



Outline A



Outline B

Unit: mm [in]

Tolerance: $\pm 0.2\text{mm}$ [$\pm 0.008\text{in}$]