

NELC-K-1

2.92mm, DC~40GHz

- | | |
|---|---|
| Features:
* Low VSWR
* No welding
* Reusable
* Easy installation | Applications:
* Laboratory Test |
|---|---|

Electrical

Frequency: DC~40GHz
 VSWR: 1.25 max.
 Impedance: 50Ω

Mechanical

RF Connector: 2.92mm
 Outer Conductor: Passivated stainless steel
 Dielectric: PEI & PTFE
 Inner Conductor: Gold plated beryllium copper

Environmental

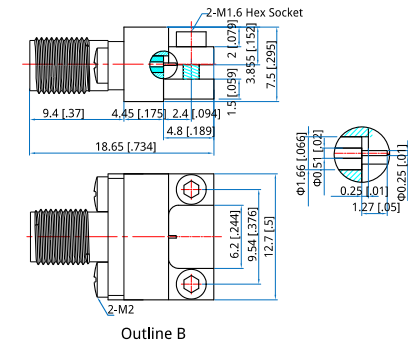
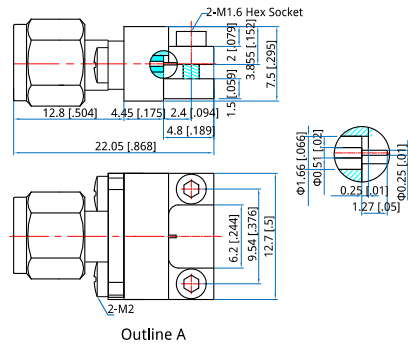
Temperature: -55~+165°C

How To Order

- NELC-K-1 - Outline A
- NELC-KF-1 - Outline B

Customization is available upon request.

Outline Drawings



Unit: mm [in]
 Tolerance: ±0.2mm [±0.008in]