

NELC-V

1.85mm, DC~67GHz

Features:

- * Low VSWR
- * No welding
- * Reusable
- * Easy installation

Applications:

- * Laboratory Test

Electrical

Frequency: DC~67GHz
 VSWR: 1.35 max.
 Impedance: 50Ω

Mechanical

RF Connector: 1.85mm
 Outer Conductor: Passivated Stainless Steel
 Dielectric: PEI & PTFE
 Inner Conductor: Gold Plated Beryllium Copper

Environmental

Temperature: -55~+165°C

How To Order

NELC-V-2 - Outline A

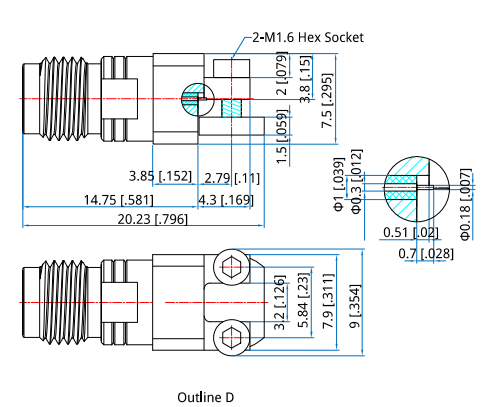
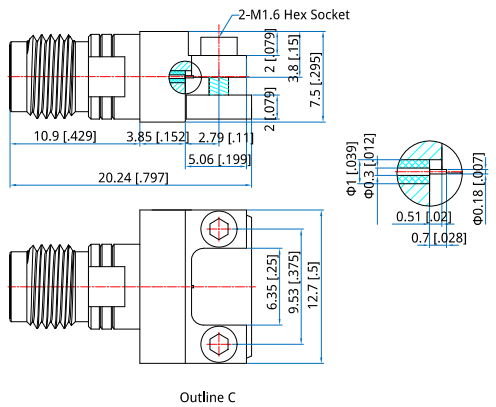
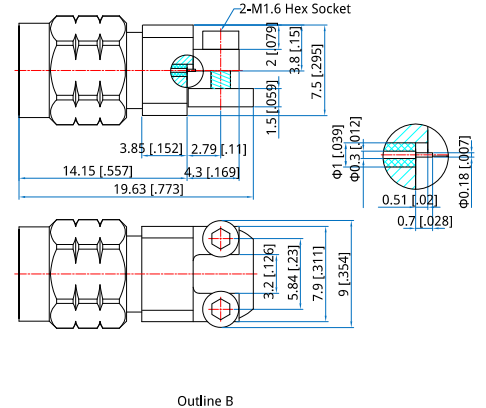
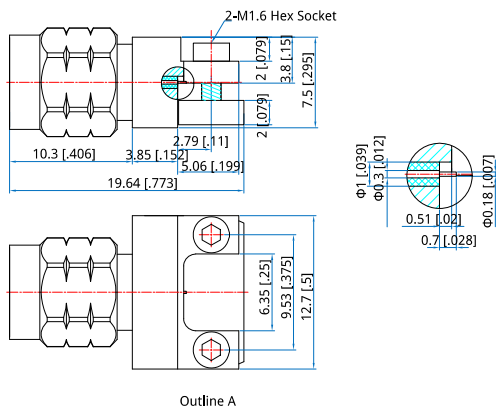
NELC-V-3 - Outline B

NELC-VF-2 - Outline C

NELC-VF-3 - Outline D

Customization is available upon request.

Outline Drawings



Unit: mm [in]

Tolerance: ±0.2mm [±0.008in]