

NE-0-3000-S-1
DC~3GHz, 1dB

Features:
* Low VSWR
* Small Size

Applications:
* Amplifier
* Laboratory Test
* Instrumentation

Electrical

Frequency: DC~3GHz
Insertion Loss: 1.5dB typ.
VSWR: 1.04 typ.
Slope: 1dB

Mechanical

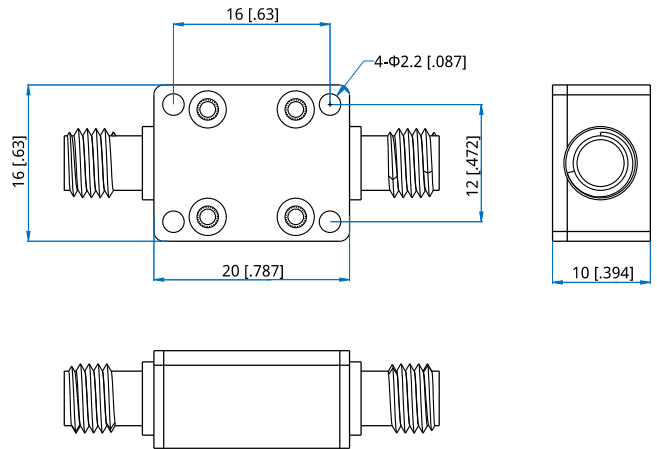
Size^{*1}: 16*20*10mm
0.63*0.787*0.394in
Connectors: SMA Female
Mounting: 4-Φ2.2mm through-hole

[1] Exclude connectors.

Environmental

Operating Temperature: -40~+85°C

Outline Drawings



Unit: mm [in]
Tolerance: ±0.2mm [±0.008in]

How To Order

NE-0-3000-S-1

Customization is available upon request.