

# NFA6710

DC~67GHz, 10W

- |   |   |
|---|---|
| <b>Features:</b><br>* Low VSWR<br>* High Attenuation Flatness | <b>Applications:</b><br>* Wireless<br>* Transmitter<br>* Laboratory Test<br>* Radar |
|---|---|

### Electrical

Frequency:	DC~67GHz
Attenuation:	20dB
Impedance:	50Ω
Average Power*1:	10W@25°C max.
Peak Power:	20W (5μS pulse width, 1% duty cycle)

[1] Derated linearly to 0.5W@125°C.

### Mechanical

RF Connectors:	1.85mm
Housing:	Passivated stainless steel
Dielectric:	PEI
Male Inner Conductor:	Gold plated brass
Female Inner Conductor:	Gold plated beryllium copper

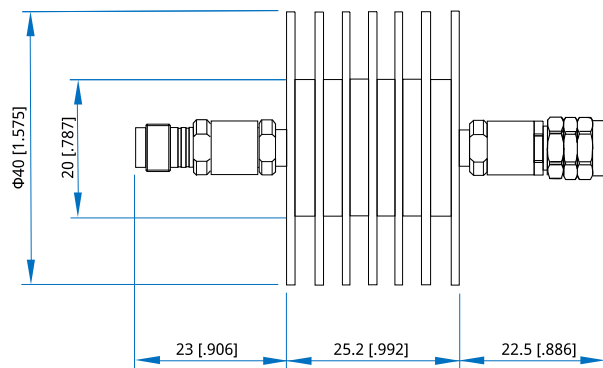
### Environmental

Operating Temperature:	-55~+125°C
Non-Operating Temperature:	-55~+125°C

### Attenuation Accuracy and VSWR

Frequency (GHz)	Attenuation Accuracy (±dB) vs. Attenuation (dB)	VSWR (max.)
	20	
DC~67	-1.5/+2.0	1.45

### Outline Drawings



Unit: mm [in]  
 Tolerance: ±2mm [±0.08in]

### How To Order

#### NFA6710-X-Y-Z

- X: Frequency in GHz
- Y: Attenuation in dB
- Z: Connector type

Connector naming rules:  
 V - 1.85mm

Examples:  
 To order an attenuator, DC~67GHz, 1.85mm male to 1.85mm female, 20dB attenuation, specify NFA6710-67-20-V.

Customization is available upon request.