

NL-1000-18000-18

1~18GHz, 18dBm

Features:
* Broadband

Applications:
* Wireless
* Transmitter
* Laboratory Test
* Radar



Electrical

Frequency:	1~18GHz
Insertion Loss:	1dB typ.
Flat Leakage:	18dBm typ.
VSWR:	2 typ.
Impedance:	50Ω

Absolute Maximum Ratings

RF Input Power:	37dBm
-----------------	-------

Mechanical

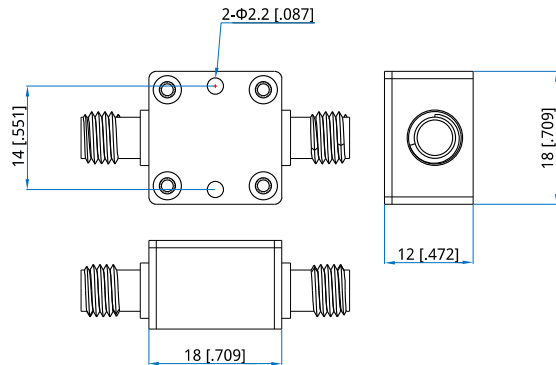
Size*1:	18*18*12mm 0.709*0.709*0.472in
RF Connectors:	SMA Female
Mounting:	2-Φ2.2mm through-hole

[1] Exclude connectors.

Environmental

Operating Temperature:	-40~+70°C
Non-operating Temperature:	-55~+85°C

Outline Drawings



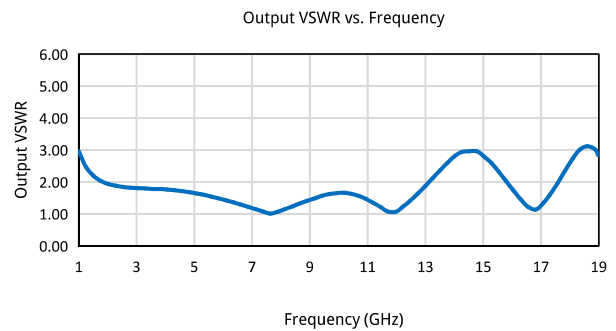
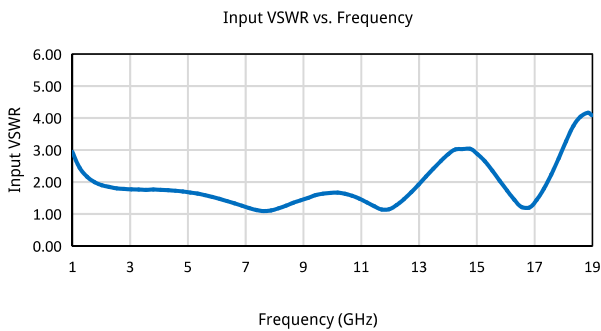
Unit: mm [in]
Tolerance: ±0.5mm [±0.02in]

How To Order

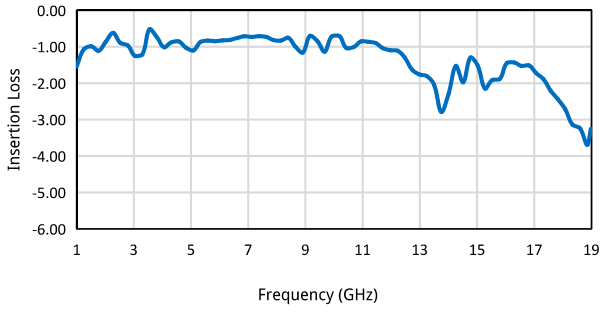
NL-1000-18000-18

Customization is available upon request.

Typical Performance Curves



Insertion Loss vs. Frequency



Output Power vs. Input Power vs. Frequency @Temp.=+25°C

