

NL-8000-12000-14

8~12GHz, 14dBm

Features:
* Broadband

Applications:
* Wireless
* Transmitter
* Laboratory Test
* Radar



Electrical

Frequency:	8~12GHz
Insertion Loss:	1.8dB typ.
Flat Leakage:	14dBm typ.
VSWR:	1.3 typ.
Impedance:	50Ω

Absolute Maximum Ratings

RF Input Power:	44dBm
-----------------	-------

Mechanical

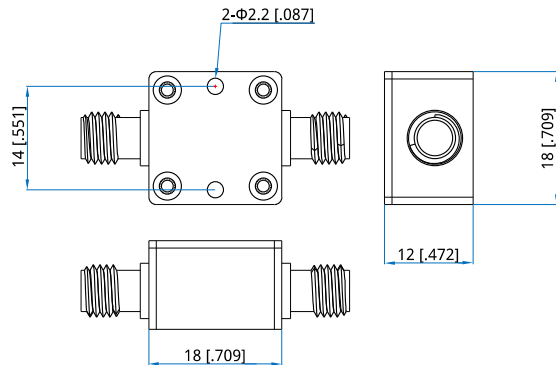
Size*1:	18*18*12mm 0.709*0.709*0.472in
RF Connectors:	SMA Female
Mounting:	2-Φ2.2mm through-hole

[1] Exclude connectors.

Environmental

Operating Temperature:	-40~+70°C
Non-operating Temperature:	-55~+85°C

Outline Drawings



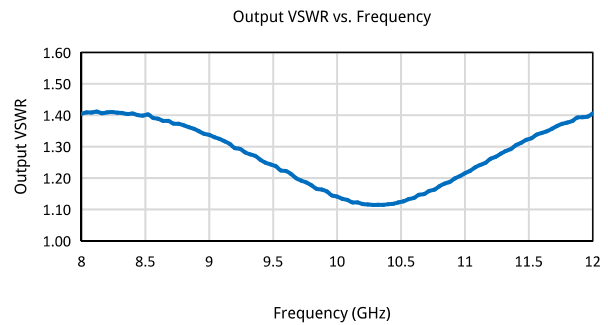
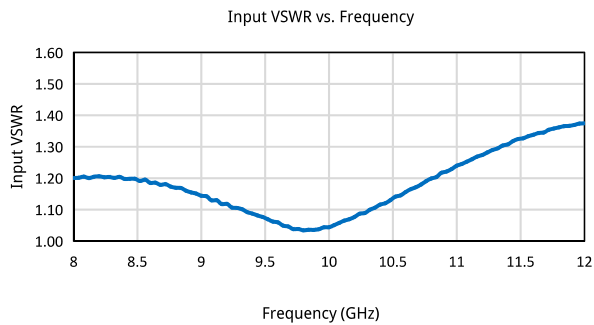
Unit: mm [in]
Tolerance: ±0.5mm [±0.02in]

How To Order

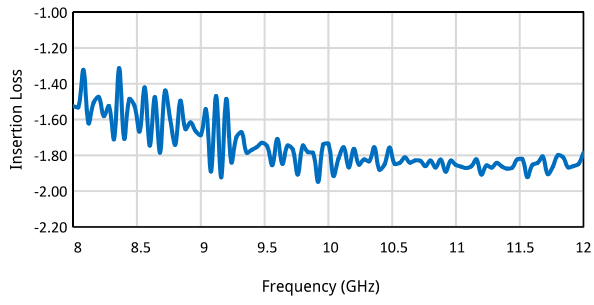
NL-8000-12000-14

Customization is available upon request.

Typical Performance Curves



Insertion Loss vs. Frequency



Flat Leakage@9GHz

