

# NLF-20000-60

DC~20GHz, 60dBc, 20W

**Features:**

- \* High Stopband Rejection
- \* Small Size

**Applications:**

- \* Telecom
- \* Laboratory Test
- \* Receivers
- \* Instrumentation

## Electrical

Passband:	DC~20GHz
Passband Insertion Loss:	1dB max.
Passband Ripple:	±0.5dB max.
VSWR:	2 max.
Stopband Attenuation:	60dBc@23~40GHz min.
Average Power:	20W max.

## Mechanical

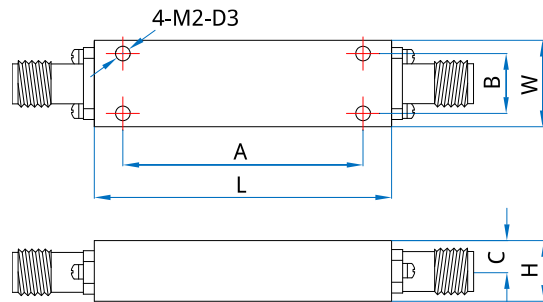
Size <sup>*1</sup> :	65*14*10mm 2.559*0.551*0.394in
RF Connectors:	2.92mm Female
Mounting:	4*M2, depth 3mm

[1] Exclude connectors.

## Environmental

Operating Temperature: +15~+45°C

## Outline Drawings



Size	L	W	H	A	B	C
mm	65	14	10	59	8	5
in	2.559	0.551	0.394	2.323	0.315	0.197

Unit: mm [in]

Tolerance: ±0.2mm [±0.008in]

## How To Order

**NLF-20000-60**

Customization is available upon request.