

NA10-0.5-4-20

0.5~4GHz, 0~20dB, 10W

Features:

- * Low VSWR
- * High Attenuation Flatness

Applications:

- * Wireless
- * Transmitter
- * Laboratory Test
- * Radar

Electrical

Frequency:	0.5~4GHz
VSWR:	1.6 max.
Attenuation Range:	0~20dB (1~4GHz)
Insertion Loss:	0.5dB max.
Impedance:	50Ω
Average Power:	10W

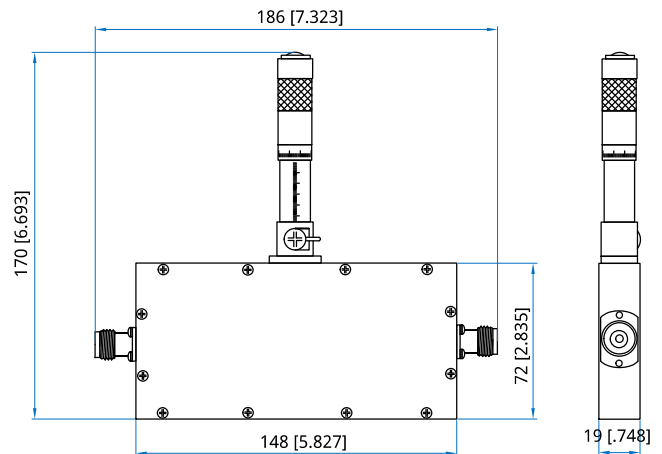
Mechanical

Size*1:	148*72*19mm 5.827*2.835*0.748in
Weight:	590g
RF Connectors:	N Female
Outer Conductor:	Nickel plated brass
Female Inner Conductor:	Gold plated beryllium copper
Housing:	Aluminum

Environmental

Temperature:	-40~+65°C
--------------	-----------

Outline Drawings



Unit: mm [in]
Tolerance: ±1mm [±0.04in]

How To Order

NA10-0.5-4-20

Customization is available upon request.