

### NPA-1000-26500-28-24

1~26.5GHz, 28dB, 24dBm

#### Features:

- \* Small Size
- \* Low Power Consumption

#### Applications:

- \* Wireless
- \* Transmitter
- \* Laboratory Test

#### Electrical

Frequency:	1~26.5GHz
Gain:	28dB min.
Gain Flatness:	±1.5dB typ.
Output Power (P1dB):	24dBm typ.
Spurious:	-60dBc max.
Harmonic:	-15dBc typ.
Input VSWR:	2.0 typ.
Output VSWR:	2.0 typ.
Voltage:	+12V DC
Current:	250mA typ.
Input Power:	+10dBm max.
Impedance:	50Ω

#### Mechanical

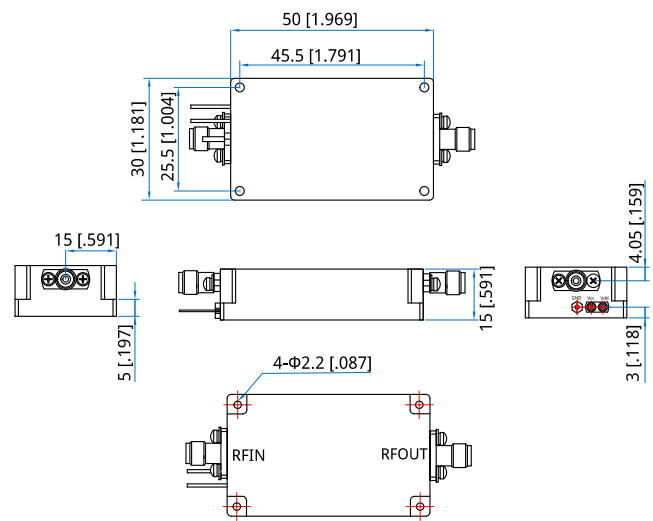
Size*1:	50*30*15mm 1.969*1.181*0.591in
RF Connectors:	2.92mm Female
Mounting:	4-Φ2.2mm through-hole

[1] Exclude connectors.

#### Environmental

Operating Temperature:	-20~+80°C
Non-operating Temperature:	-40~+85°C

#### Outline Drawings



Unit: mm [in]

Tolerance: ±0.2mm [±0.008in]

#### How To Order

[NPA-1000-26500-28-24](#)

Customization is available upon request.