

## NPA-2-30-58-60S

Power Amplifier

2~30MHz, 58dB, 60dBm

**Features:**

- \* Small Size
- \* Low Power Consumption

**Applications:**

- \* Wireless
- \* Transmitter
- \* Laboratory Test

### Electrical

|                      |             |
|----------------------|-------------|
| Frequency:           | 2~30MHz     |
| Power Gain:          | 58dB min.   |
| Gain Range:          | 30~60dB     |
| Step:                | 1dB         |
| Gain Flatness:       | ±2dB typ.   |
| Output Power (Psat): | 60dBm min.  |
| Spurious:            | -60dBc max. |
| Harmonic:            | -10dBc      |
| Input VSWR:          | 1.45 typ.   |
| Output VSWR:         | 2 typ.      |
| Voltage:             | +5V DC      |
| Current:             | 40A max.    |
| Impedance:           | 50Ω         |
| Input Power:         | +5dBm max.  |

### Mechanical

|                      |                                     |
|----------------------|-------------------------------------|
| Size <sup>*1</sup> : | 240*125*45mm<br>9.449*4.921*1.772in |
| Weight:              | 3000g max.                          |
| RF Connectors:       | N Female                            |
| Supply Connectors:   | Feed Through                        |
| Mounting:            | 6-Φ3.2mm through-hole               |

[1] Exclude connectors.

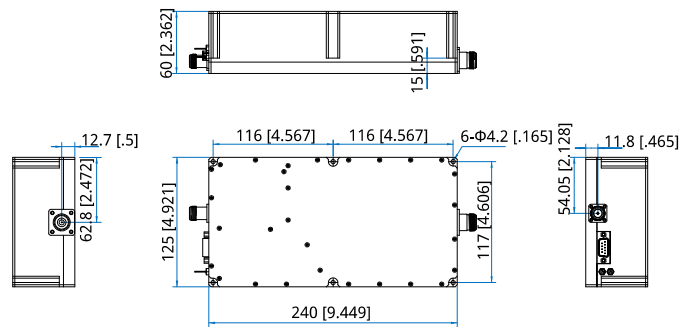
### Pin Numbering

| Pin | Function                    | Description information                                               |
|-----|-----------------------------|-----------------------------------------------------------------------|
| 1   | RS485 communication port    | T/R+(A)                                                               |
| 2   | RS485 communication port    | T/R-(B)                                                               |
| 3~5 | GND                         | GND                                                                   |
| 6   | Working voltage alarm       | TTL level, abnormal output high level (+ 5V), normal output low level |
| 7   | Working current alarm       | TTL level, abnormal output high level (+ 5V), normal output low level |
| 8   | Operating temperature alarm | TTL level, abnormal output high level (+ 5V), normal output low level |
| 9   | RF switch                   | TTL High - 1<br>TTL Low/NC - 0                                        |

### Environmental

Operating Temperature: -10~+50°C

### Outline Drawings



Unit: mm [in]

Tolerance: ±0.2mm [±0.008in]

### How To Order

**NPA-2-30-58-60S**

Customization is available upon request.