

NPA-40000-60000-36-20S

40~60GHz, 36dB, 20dBm

Features:

- * Small Size
- * Low Power Consumption

Applications:

- * Wireless
- * Transmitter
- * Laboratory Test

Electrical

Frequency:	40~60GHz
Gain:	36dB min.
Output Power (P1dB):	18dBm typ.
Output Power (Psat):	20dBm typ.
Noise Figure:	5dB typ.
Input VSWR:	2.6 typ.
Output VSWR:	2.6 typ.
Voltage:	+5V DC
Current:	500mA typ. @No RF 720mA typ @Psat
Input Power:	+5dBm max.

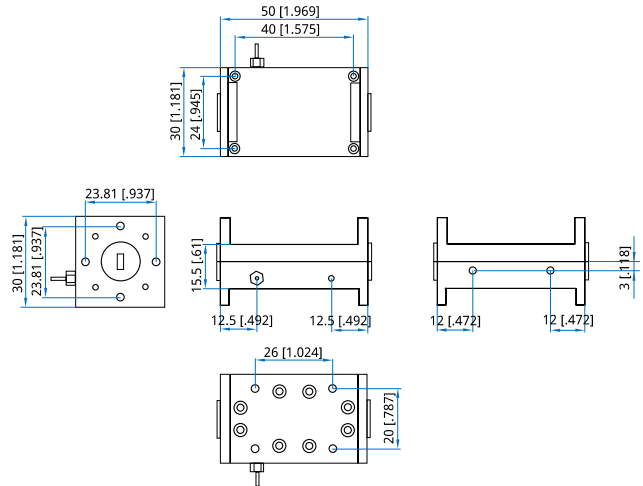
Mechanical

Size:	50*30*30mm 1.969*1.181*1.181in
Weight:	100g
Interface:	WR-19

Environmental

Operating Temperature:	0~+50°C
Non-operating Temperature:	-65~+150°C

Outline Drawings



Unit: mm [in]

Tolerance: ±0.2mm [±0.008in]

How To Order

NPA-40000-60000-36-20S

Customization is available upon request.