

# NSP-110

DC~110GHz

Features:  
 \* Durable  
 \* Low Insertion Loss  
 \* Low VSWR

Applications:  
 \* Microwave Test

### Specifications

Frequency (GHz)	Pitch (µm)	Tip Size (µm)	IL (dB Max.)	VSWR (Max.)	Configuration	Mounting Styles	Connector
DC~110	50, 75, 100	30	1.5	2	GSG	45°	1.0mm female
	125	30	1 @DC~67GHz	1.4 @DC~67GHz	GS	45°	1.0mm female

### Electrical

Frequency: DC~110GHz  
 Recommend Overtravel: 50µm~75µm  
 Impedance: 50Ω

### Mechanical

Material: Aluminum Alloy  
 Probe Tip Material: Gold plated BeCu

### Environmental

Operating Temperature: -45~+85°C

### How To Order

#### NSP-110-V-W-X-Y-Z-U-T

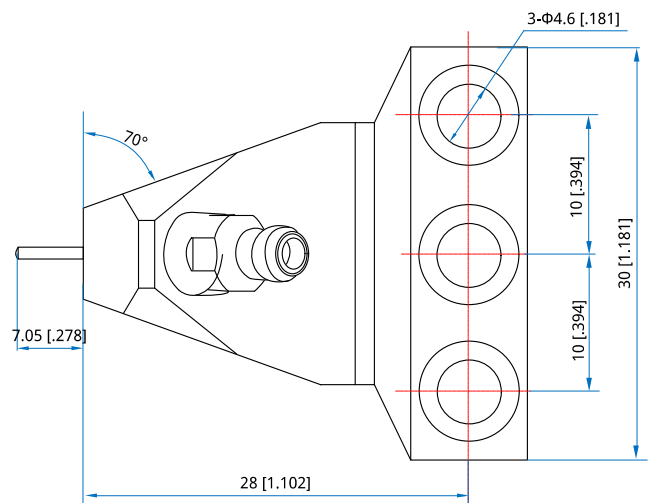
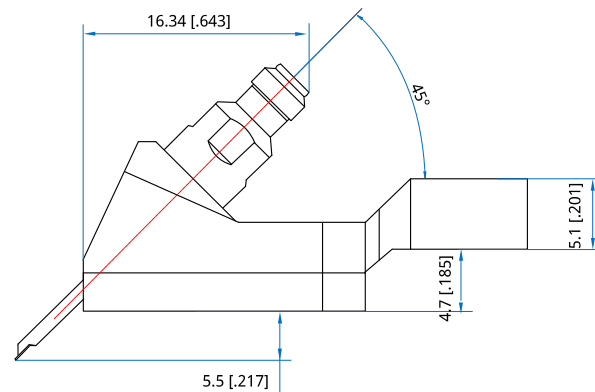
V: Configuration Type.  
 W: Pitch in µm  
 X: Tip Size in µm  
 Y: Mounting Styles. 45°: 45  
 Z: Material. Aluminum alloy: A  
 U: Probe Tip Material. Gold plated BeCu: C  
 T: If there are duplicate models with different appearances.

#### Examples:

To order a single port probe, DC~110GHz, GSG, Pitch 75µm, 30µm, 45°, Aluminum alloy, Gold plated BeCu, specify NSP-110-GSG-75-30-45-A-C.

Customization is available upon request.

### Outline Drawings



Unit: mm [inch]  
 Tolerance: ±0.25mm [±0.01in]