

NWSP77

7/16 DIN to 7/16 DIN

Features:
* Broadband

Applications:
* Any Applications

Electrical

Frequency:	0.8~2.5GHz 0.8~2.7GHz (Outline B)
VSWR:	1.2 max.
Insertion Loss:	0.2dB max. 0.3dB max.(Outline B)
RF Power Transmission:	2500W
Lightning Surge Current:	30kA
Impedance of Dielectric:	5000MΩ min.
Impedance of Contact (Center):	0.4mΩ max.
Impedance of Contact (Outer):	0.2mΩ max.
Impedance:	50Ω

Mechanical

RF Connector:	7/16 DIN
Mating Life Cycle:	500 cycles min.
Outer Conductor:	Ternary alloy plated brass
Dielectric:	PTFE
Inner Conductor:	Silver plated brass
Gaskets:	Stainless steel

Environmental

Temperature:	-40~+85°C
Ingress Protection (IP) Rating:	IP 67
Relative Humidity:	95% max. @25°C±2°C

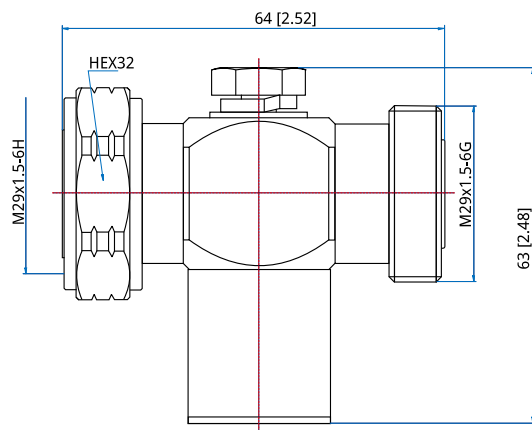
How To Order

NWSP77-MF-02 - 7/16 DIN(m) to 7/16 DIN(f), 0.8~2.5GHz, Outline A

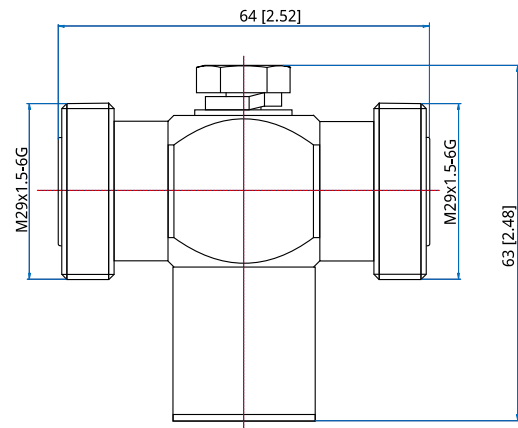
NWSP77-FF-02 - 7/16 DIN(f) to 7/16 DIN(f), 0.8~2.7GHz, Outline B

Customization is available upon request.

Outline Drawings



Outline A



Outline B

Unit: mm [in]

Tolerance: ±0.2mm [±0.008in]