

### NRJ1-50000-12

Singal Channel, DC~50GHz, 12.7mm

- |                               |  |
|-------------------------------|--|
| Features:                     | Applications:                            |
| * Low VSWR                    | * High Speed Digital Signal Transmission |
| * Low VSWR Flatness           | * Analog Signal Transmission             |
| * Low Insertion Loss Flatness |  |

#### Electrical

Frequency:	DC~50GHz
VSWR:	1.7 max.
VSWR Flatness:	0.2 max.
Insertion Loss:	0.9dB max.
Insertion Loss Flatness:	0.1 dB max.
Phase Flatness:	2° max.
Average Power:	50W max. @1GHz 15W max. @10GHz 5W max. @26.5GHz 3W max. @50GHz
Peak Power:	3000W max.
IP Grade:	IP40 acc. EN 60529

#### Mechanical

Connectors:	2.4mm female
Rotating Speed:	150RPM max.
Starting Torque:	0.5N.cm max.
Connector Axial Load:	0.1N max.
Rotating Torque:	0.5 N.cm max.
Connector Radial Load:	0.1N max.
Operation Life:	10M Cycles
Dielectric:	PTFE

#### How To Order

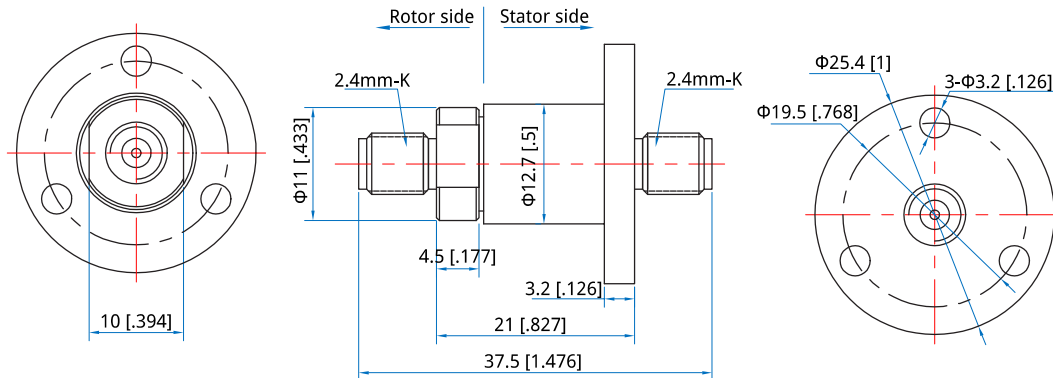
**NRJ1-50000-12**

Customization is available upon request.

#### Environmental

Temperature: -55~+85°C

#### Outline Drawings



Unit: mm [in]

Tolerance:  $\pm 0.2$ mm [ $\pm 0.008$ in]