

## NWB-340 WR-340

Features:  
\* Low VSWR  
\* High Isolation

Applications:  
\* Wireless  
\* Transmitter  
\* Laboratory Test  
\* Radar

### Electrical

Frequency: 2.17~3.3GHz  
VSWR: 1.1 max.

### Mechanical

Interface: WR-340 (BJ26)  
Flange: FBP26  
Material: Aluminum  
Coating: Black paint  
Finish: Conductive oxidation

### How To Order

#### NWB-340-U-W-X-Y-Z

U: Angle:  
90 - 90°  
W: H plane: H, E plane: E.  
X: Material  
Y: Flange type  
Z: Serial number if different sizes

#### Bending Side:

H - H plane (Outline A)  
E - E plane (Outline B)

#### Material naming rules:

A - Aluminum (Outline A, B)

#### Flange naming rules:

1 - FBP (Outline A, B)

#### Serial number naming rules:

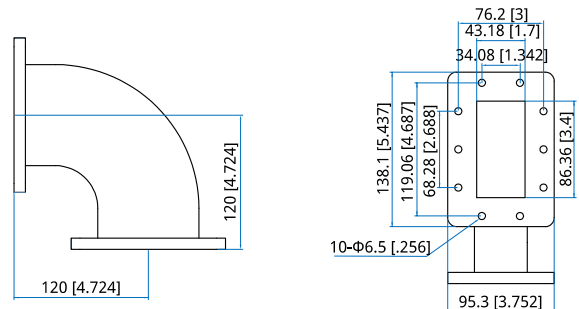
01 - (Outline A, B)

#### Examples:

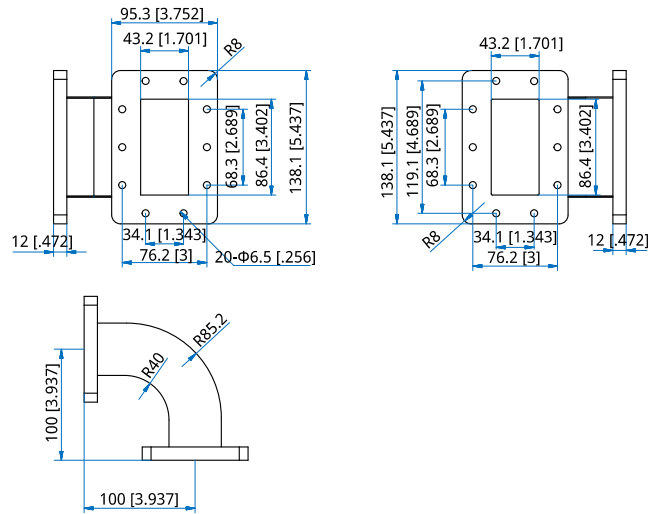
To order a waveguide Bends, WR-340, 90°, H plane, Aluminum, FBP26, 120\*120mm, specify NWB-340-90-H-A-1-01.

Customization is available upon request.

### Outline Drawings



Outline A



Outline B

Unit: mm [in]  
Tolerance: ±0.5mm [±0.02in]